

A-W & A-F Oil Separators

The A-W and A-F are used for multiple compressor racks in supermarkets and air conditioning systems for use with HCFCs, HFCs and their lubricants.



Features

- Hermetic welded or accessible bolted flange construction
- Solid copper connections
- Corrosion resistant epoxy powder paint

Nomenclature example: AW 5582 4

A	W	5582	4
Series	W = Welded F = Flanged	Model Number	Connection Size (in 1/8")

Specifications

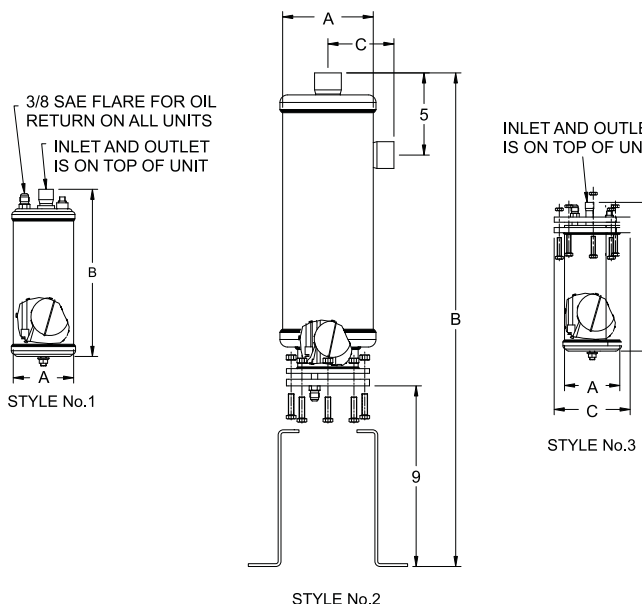
- Maximum working pressure: 450 psi
- UL/CUL file number: SA10468

Ordering Information* and Capacity Table

Description				R-12				R-22/R-407C				R-502				R-134a				R-404A/R-507			
FLANGED	PCN	SEALED	PCN	-40 F/C		40F (4C)		-40F/C		40F (4C)		-40F/C		40F (4C)		-40F/C		40F (4C)		-40F/C		40F (4C)	
				Tons	kW	Tons	kW	Tons	kW	Tons	kW	Tons	kW	Tons	kW	Tons	kW	Tons	kW	Tons	kW	Tons	kW
A-F 58824	060877	A-W 55824	060933	1	3.5	1.5	5.3	1.5	5.3	2	7.1	1.5	5.3	2	7.08	1	3.5	1.8	6.2	1.5	5.3	2	7.0
A-F 58855	060878	A-W 55855	060934	3	10.6	4	14.2	4.5	15.9	5.5	19.5	4.8	16.8	5.8	20.4	3.3	11.5	4.5	15.9	4	14.2	5.5	19.0
A-F 58877	060879	A-W 55877	060931	4.5	15.9	5.5	19.5	7	24.8	8	28.3	7.5	26.6	8.5	30.1	4.8	16.8	6.5	23	6.5	23	8.5	30.0
A-F 58889	060759	A-W 55889	060974	6	21.2	7.5	26.6	9	31.9	11	37.2	9.5	33.6	11.5	40.7	6.5	23	8.5	30.1	8.5	30.1	11	38.0
A-F 589011	060760	A-W 559011	060930	7.5	26.6	10	35.4	11.5	40.7	14	47.8	12	42.5	14.5	51.3	8	28.3	11.5	40.7	10.5	37.2	14	49.0
A-F 589213	060761	A-W 559213	060975	9	31.9	11.5	40.7	14	49.6	18	62	16	56.6	17.5	62	9.5	33.6	13.3	46.9	14	49.6	17	60.0
-	-	A-W 569011	060978	9	31.7	12	42.3	13	45.8	14	49.8	15	52.8	20	70.4	9.5	33.4	13.7	48.2	11	38.7	19	66.9
A-F 579213	060875	A-W 569213	060979	11	38.9	14	49.6	16	56.6	18	63.7	20	70.8	24	85	11.8	41.6	16	56.6	17.5	62	23	81
A-F 579417	060876	A-W 569417	060980	17	60.2	22	77.9	25	88.5	30	106	30	106	35	124	18	63.7	25.6	89.4	26	92.	34	121

*See replacement parts page. Repair kits for style 2 only.

Dimensional Data



Seal Units: A-W

Description	Style No.	Connection Size	Dimensions (in)	
			A	B
A-W 55824	1	1/2 ODF	4.0	10.75
A-W 55855		5/8 ODF		13.2
A-W 55877		7/8 ODF		15.0
A-W 55889		1-1/8 ODF		16.25
A-W 559011		1-3/8 ODF		19.5
A-W 569011		1-3/8 ODF		15.75
A-W 569213	6.0	1-5/8 ODF	19.0	
A-W 569417		2-1/8 ODF	19.5	

Flanged Units: A-F

Description	Style No.	Connection Size	Dimensions (in)		
			A	B	C
A-F 58824	3	1/2 ODF	4.0	10.5	5.5
A-F 58855		5/8 ODF		15.0	
A-F 58877		7/8 ODF		18.0	
A-F 58889		1 1/8 ODF		21.25	
A-F 589011		1 3/8 ODF		21.37	
A-F 589213		1 5/8 ODF		21.75	
A-F 579213	2	1 5/8 ODF	6.0	20.12	4.37
A-F 579417		2 1/8 ODF	6.0	20.31	4.63