

The HF series is a balanced ported valve designed for refrigeration, air conditioning and heat pump applications.

Features

- Stainless steel replaceable power element eliminates corrosion and prevents valve failure
- Two body sizes provide capacities from 1/4 to 20 tons

Standard Body – HF & HFK

- The HF is offered several ways:
 - *Pre-packaged HFK service kits* – Include a mix of bodies and power elements with a complete set of cages to serve the most applications with a minimum of parts
 - *Individual components* – Bodies, cages, & power elements may be ordered separately
 - *Finished valves* – Assembled valves ready for immediate installation
- Bi-Flow capability up to 5-1/2 tons R-22 allows one valve to control the superheat in both cooling and heating modes

Extended Body – HF

- Capacity range from 8 to 20 tons (R-22)
- Finished valve only



NOTE: If the HF body is stamped HFK, then the cage is replaceable.

Options

- ODF or SAE connections
- Straight-through or angle flow configurations
- Removable inlet strainer (ODF only)
- Internal or external equalizer

Specifications

- Maximum working pressure: 450 psig

Nomenclature example: HFESC 2 HC 5 FT 3/8 x 1/2 ODF S/T

HF	N	E	S	C	B	2	H	C	5 FT	3/8 x 1/2	ODF	S/T
Valve Series Balanced Port Design	Superheat Adjustment N = Non-Adjustable Omit for Adjustable	Equalizer E=External (Omit for Internal)	Connection Type S = Solder (Omit for SAE Flare)	Removable Inlet Strainer (optional) C = Inlet Strainer (ODF only)	Bleed Hole (optional) (Omit for no bleed hole)	Capacity Nominal Rating in Tons (See nominal capacity table below)	Refrigerant Code +F = R-12 • H = R-22 +M = R-134a • N = R-407C * P = R-507 * R = R-502 * S = R-404A	Charge Code C = medium temp CA = heat pump W(MOP) = press. limiting Z = low temp AA = wide range	Capillary Tube Length 5 FT (std)	Inlet x Outlet Connection Sizes 1/4 x 3/8 3/8 x 1/2	Connection Type SAE = flare ODF = solder	Configuration ANG = 90° angle S/T = straight-thru

+ = R-12 and R-134a are interchangeable refrigerant charges
 * = R-507, R-502 and R-404A are interchangeable refrigerant charges
 • = R-22 and R-407C are interchangeable refrigerant charges

HF Series-Nominal* Capacity Tables in Tons (kW)

Standard Body HF

R-12	R-134a	R-22/R-407C	R-502/R-404A/R-507
1/8 (0.4)	1/4 (0.9)	1/4 (0.9)	1/8 (0.4)
1/4 (0.9)	1/2 (1.8)	1/2 (1.8)	1/4 (0.9)
1/2 (1.8)	3/4 (2.7)	1 (3.5)	1/2 (1.8)
1 (3.5)	1 (3.5)	1 1/2 (5.3)	1 (3.5)
–	1 1/2 (5.3)	2 (7.0)	–
1 1/2 (5.3)	1 3/4 (6.2)	2 1/2 (8.8)	1 1/2 (5.3)
2 (7.0)	2 1/2 (8.8)	3 (11.0)	2 (7.0)
3 1/2 (12.0)	4 (14.0)	5 1/2 (20.0)	3 1/2 (12.0)

Extended Body HF

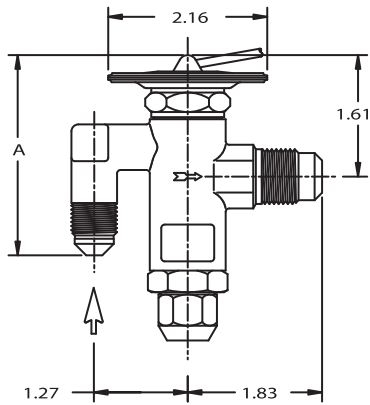
R-12	R-134a	R-22/R-407C	R-502/R-404A/R-507
5 (17.0)	6 (21.0)	8 (28.0)	5 (17.0)
6 (21.0)	7 1/2 (27.0)	10 (35.0)	7 (27.0)
9 (32.0)	11 (39.0)	15 (53.0)	10 (35.0)
12 (42.0)	14 (50.0)	20 (70.0)	13 (46.0)

All capacities shown are at 100°F condensing, 40°F evaporator temperature.
 *See Extended Capacity Tables for ratings at a wide range of conditions per ARI standard 750.

Dimensional Data

Standard Body HF

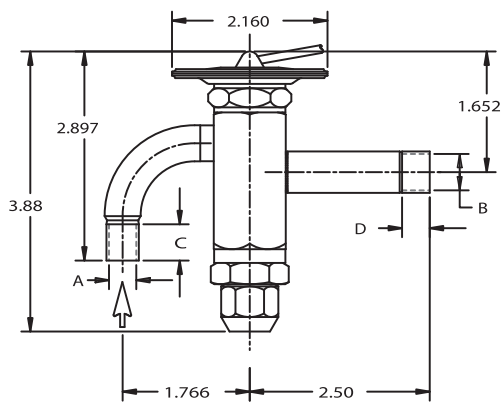
¼ thru 5½ tons R-22



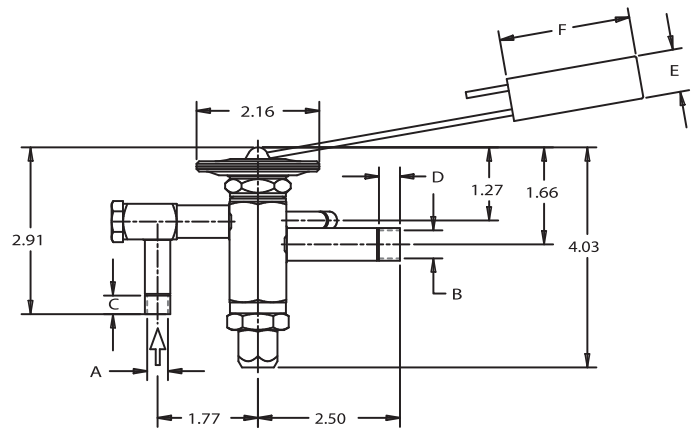
SAE

HF SAE

Connection Size		A	B	C
Inlet	Outlet			
1/4 SAE	1/2 SAE	3.11	1.27	1.83
3/8 SAE	1/2 SAE	2.72		



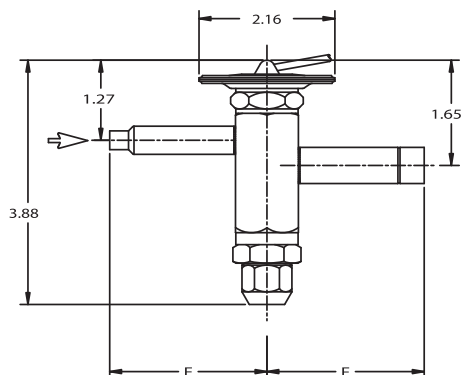
ODF



ODF
w/optional strainer
at inlet

Extended Body HF

8, 10, 15 & 20 ton R-22



ODF

HF ODF

Connection Size		A± .002	B± .002	C MIN	D MIN	E	F
Inlet	Outlet						
1/4 ODF	3/8 ODF	0.25	0.38	0.31	0.31	2.50	2.50
3/8 ODF	1/2 ODF	0.25	0.50	0.31	0.37		
3/8 ODF	1/2 ODF	0.38	0.50	0.37	0.37		

Ordering Information

Use the following tables to order individual components.

HFK Body Selection Table

PCN	Description	Type	Connections (Inlet x Outlet)
064881	KT-20298-1	HFK	1/4 x 1/2 SAE Ang Inlet
064882	KT-20298-2	HFK	3/8 x 1/2 SAE Ang Inlet
064883	KT-20298-3	HFKE	1/4 x 1/2 SAE Ang Inlet
064884	KT-20298-4	HFKE	3/8 x 1/2 SAE Ang Inlet
064885	KT-20298-5	HFKSC	3/8 x 1/2 ODF Ang Inlet w/ Strainer
064886	KT-20298-6	HFKESC	3/8 x 1/2 ODF Ang Inlet w/ Strainer
064887	KT-20298-7	HFKS	3/8 x 1/2 ODF S/T
064888	KT-20298-8	HFKS	3/8 x 5/8 ODF S/T
064889	KT-20298-9	HFKS	1/2 x 5/8 ODF S/T
064890	KT-20298-10	HFKS	1/2 x 7/8 ODF S/T
064891	KT-20298-11	HFKES	3/8 x 1/2 ODF S/T
064892	KT-20298-12	HFKES	3/8 x 5/8 ODF S/T
064895	KT-20298-13	HFKES	1/2 x 5/8 ODF S/T
064896	KT-20298-14	HFKES	1/2 x 7/8 ODF S/T

HF & HFK Power Element Table

PCN	Description	System Refrigerant(s)	Application
053769	X26300-FW15-1	R-134a/R-12	Low Temp MOP
054798	X26300-FW35-1	R-134a/R-12	Low Temp MOP
063869	X26300-FW55-1	R-134a/R-12	Low Temp MOP
053766	X26300-FZ-1	R-134a/R-12	Low Temp
053763	X26300-FC-1	R-134a/R-12	Medium Temp
058074	X26300-MC-1	R-134a	Medium Temp
053767	X26300-HZ-1	R-22/R-407C	Low Temp
057834	X26300-HCA-1	R-22/R-407C	Heat Pump
057764	X26300-HW100-1	R-22/R-407C	AC MOP
053764	X26300-HC-1	R-22/R-407C	A/C Med. Temp
058085	X26300-SW45-1	R-404/ R-507/ R-502	Low Temp MOP
058082	X26300-SZ-1	R-404/ R-507/ R-502	Low Temp
058083	X26300-SC-1	R-404/ R-507/ R-502	Medium Temp

HFK Cage Nominal* Capacity Table

PCN	Description ¹	Cage Code	R-12	R-22	R-134a	R-404	R-507	R-502	R-407C
064868	KT-20299-0	0	1/8	1/4	1/4	1/8	1/8	1/8	1/4
064869	KT-20299-1	1	1/4	1/2	1/2	1/4	1/4	1/4	1/2
064870	KT-20299-2	2	1/2	1	3/4	1/2	1/2	1/2	1
064871	KT-20299-3	3	1	1 1/2	1	1	1	1	1 1/2
064872	KT-20299-4	4	1 1/4	2	1 1/2	1 1/4	1 1/4	1 1/4	2
064873	KT-20299-5	5	1 1/2	2 1/2	1 3/4	1 1/2	1 1/2	1 1/2	2 1/2
064874	KT-20299-6	6	2	3	2 1/2	2	2	2	3
064875	KT-20299-7	7	3 1/2	5 1/2	4	3 1/2	3 1/2	3 1/2	5 1/2

¹ Cage Kit includes Cage, Insertion Tool and ID Clips.

*All capacities shown are at 100°F condensing, 40°F evaporator temperature.

See Extended Capacity Tables for ratings at a wide range of conditions per ARI standard 750.

Cage Kit (PCN 064879)

Item	Qty
Size 0 Cage (1/4 ton R-22)	2
Size 1 Cage (1/2 ton R-22)	2
Size 2 Cage (1 ton R-22)	2
Size 3 Cage (1 1/2 ton R-22)	2
Size 4 Cage (2 ton R-22)	2
Size 5 Cage (2 1/2 ton R-22)	2
Size 6 Cage (3 ton R-22)	2
Size 7 Cage (5 1/2 ton R-22)	2
Insertion Tool	1
Oil Bottle	1
Cage ID Tags	16

Replacement Parts – SAE Inlet

PCN	Part Number	Description
027385	X-11176-1	Filter Screen
058707	27676-1	Seal Cap

Replacement Parts- HFSC & HFESC Only

PCN	Kit Number	Description
057686	KT-20264	Includes seal cap, gasket o-ring, screen, spring

HFK Accessories

PCN	Description
064880	Service Box
064897	Cage Box (Empty)
064898	Insertion Tool
064899	Oil Bottle
065203	Cage Gasket Kit (12 sets)

Ordering Information

HFK Pre-Packaged Kits

The HFK is a pre-packaged kit consisting of a mix of popular bodies and power elements with a complete selection of cages. These kits provide great flexibility allowing valves to be assembled as needed for each application. Three kits are provided as shown below, along with the cage kit which is included in each pre-packaged kit. In addition, custom kits can be assembled by stocking an empty kit case with desired components.



SAE/ODF Kit (PCN 065135)

Item	Qty
HFK 3/8 x 1/2 SAE ANG	1
HFKE 3/8 x 1/2 SAE ANG	1
HFKS 3/8 x 1/2 ODF S/T	1
HFKES 3/8 x 1/2 ODF S/T	1
Cage Kit (PCN 064879)	1
Insertion Tool (PCN 065219)	1
Service Box (PCN 064880)	1
FC Power Element	1
FZ Power Element	1
HC Power Element	1
HZ Power Element	1
SC Power Element	1
SW45 Power Element	1

SAE Kit (PCN 064876)

Item	Qty
HFK 1/4 X 1/2 Body	1
HFK 3/8 X 1/2 Body	1
HFKE 3/8 X 1/2 Body	2
FC Power Element	2
HC Power Element	1
HZ Power Element	1
SZ Power Element	2
Cage Kit (PCN 064879)	1

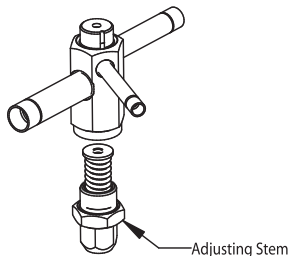
ODF Kit (PCN 064877)

Item	Qty
HFKSC 3/8 X 1/2 Body	1
HFKES 3/8 X 1/2 Body	1
HFKESC 3/8 X 1/2 Body	2
FC Power Element	2
HC Power Element	1
HZ Power Element	1
SZ Power Element	2
Cage Kit (PCN 064879)	1

Cage Kit (PCN 064879)

Item	Qty
Size 0 Cage (1/4 ton R-22)	2
Size 1 Cage (1/2 ton R-22)	2
Size 2 Cage (1 ton R-22)	2
Size 3 Cage (1 1/2 ton R-22)	2
Size 4 Cage (2 ton R-22)	2
Size 5 Cage (2 1/2 ton R-22)	2
Size 6 Cage (3 ton R-22)	2
Size 7 Cage (5 1/2 ton R-22)	2
Insertion Tool	1
Oil Bottle	1
Cage ID Tags	16

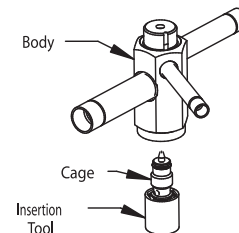
HFK Assembly Procedure (see 6 assembly steps & diagrams below)



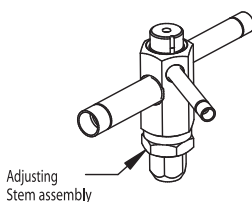
1. Remove adjusting stem assembly from body with 15/16" wrench.



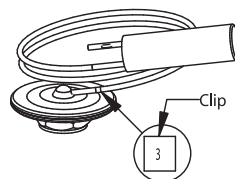
2. Lubricate both o-rings on cage.



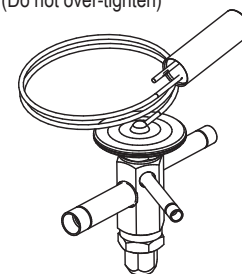
3. Insert cage into body with driver and insertion tool and hand tighten. (Do not over-tighten)



4. Replace adjustment stem assembly to body and hand tighten. Use the 15/16" wrench to tighten adjustment stem assembly 60° or one wrench flat. (300-360 inch lbs. - Do not over-tighten)



5. Attach cage identification clip on power element cap tube.



6. Screw power element to top of valve body and hand tighten. Use the 1" wrench to tighten power element 60° or one wrench flat. (300-360 inch lbs. - Do not over-tighten)

Ordering Information

Use the following tables to order factory assembled valves.

HF Series – Internally Equalized									
Refrigerant	Series	Tons*	Charge	Connections	Cap Tube	PCN			
R-12	HF	1/4	FC	1/4 X 1/2 SAE ANG	5 FT	009811			
			FC	3/8 X 1/2 SAE ANG	5 FT	054134			
		1/2	FC	1/4 X 1/2 SAE ANG	5 FT	009810			
			FC	3/8 X 1/2 ODF ANG	5 FT	056063			
			FC	3/8 X 1/2 ODF S/T	5 FT	056013			
			FC	3/8 X 1/2 SAE	5 FT	054966			
			FC	3/8 X 1/2 SAE ANG	5 FT	054892			
		1	FC	3/8 X 1/2 ODF S/T	5 FT	056119			
			FC	3/8 X 1/2 SAE ANG	5 FT	057619			
		1-1/2	FC	3/8 X 1/2 SAE ANG	5 FT	054914			
2	FC	3/8 X 1/2 SAE	5 FT	053060					
R-134a R-12	HF	1/4	MC	3/8 X 1/2 ODF ANG	5 FT	058545			
			MC	3/8 X 1/2 SAE ANG	5 FT	057618			
		1/2	MC	3/8 X 1/2 ODF S/T	5 FT	058100			
			MC	3/8 X 1/2 SAE ANG	5 FT	057620			
		1	MC	3/8 X 1/2 ODF S/T	5 FT	065641			
R-22 R-407C	HF	1/4	HC	1/4 X 1/2 SAE ANG	5 FT	058430			
			HC	3/8 X 1/2 ODF ANG	5 FT	055493			
			HC	3/8 X 1/2 ODF S/T	5 FT	055633			
			HC	3/8 X 1/2 SAE	5 FT	054921			
			HZ	1/4 X 1/2 SAE ANG	5 FT	059653			
			HZ	3/8 X 1/2 ODF S/T	5 FT	056169			
		1/2	HC	1/4 X 1/2 SAE ANG	5 FT	009812			
			HC	3/8 X 1/2 ODF ANG	5 FT	054723			
			HC	3/8 X 1/2 ODF S/T	5 FT	054136			
			HC	3/8 X 1/2 SAE	5 FT	054135			
			HZ	3/8 X 1/2 SAE	5 FT	054364			
		1	HC	3/8 X 1/2 ODF ANG	5 FT	055702			
			HC	3/8 X 1/2 ODF S/T	5 FT	055928			
			HC	3/8 X 1/2 SAE	5 FT	054927			
			HZ	3/8 X 1/2 SAE	5 FT	054928			
			HC	3/8 X 1/2 ODF ANG	5 FT	055969			
		1-1/2	HC	3/8 X 1/2 ODF S/T	5 FT	056018			
			HC	3/8 X 1/2 SAE	5 FT	054933			
			HC	3/8 X 1/2 SAE	5 FT	054939			
		2	HZ	3/8 X 1/2 SAE ANG	5 FT	054940			
			HC	3/8 X 1/2 SAE	5 FT	054947			
		2-1/2	HC	3/8 X 1/2 SAE	5 FT	053316			
			HC	3/8 X 1/2 ODF S/T	5 FT	053915			
		R-404A R-507 R-502	HF	1	SC	3/8 X 1/2 ODF S/T	5 FT	065643	
					1/4	RC	1/4 X 1/2 SAE ANG	5 FT	059304
						RC	3/8 X 1/2 ODF ANG	5 FT	055490
		RC	3/8 X 1/2 SAE	5 FT		054137			
		RZ	1/4 X 3/8 ODF S/T	5 FT		055792			
RZ	3/8 X 1/2 ODF S/T	5 FT	056228						
RZ	3/8 X 1/2 SAE	5 FT	054369						
1/2	RC	3/8 X 1/2 SAE	5 FT	054964					
	RZ	3/8 X 1/2 ODF ANG	5 FT	055874					
	RZ	3/8 X 1/2 ODF S/T	5 FT	056008					
	RZ	3/8 X 1/2 SAE	5 FT	054965					
	RC	3/8 X 1/2 SAE	5 FT	054976					
1	RC	3/8 X 1/2 SAE ANG	5 FT	054905					
	RZ	3/8 X 1/2 ODF ANG	5 FT	055785					
	RZ	3/8 X 1/2 SAE	5 FT	054977					
	RC	3/8 X 1/2 SAE	5 FT	054984					
1-1/2	RZ	3/8 X 1/2 SAE	5 FT	054986					
	RC	3/8 X 1/2 SAE	5 FT	053061					
2	RC	3/8 X 1/2 SAE	5 FT	055936					
3-1/2	RC	3/8 X 1/2 SAE	5 FT						

Ordering Information (continued)

HF Series – Externally Equalized (continued)						
Refrigerant	Series	Tons*	Charge	Connections	Cap Tube	PCN
R-12	HFE	1/4	FC	3/8 X 1/2 SAE ANG	5 FT	054360
			FC	1/4 X 1/2 SAE ANG	5 FT	009955
		1/2	FC	3/8 X 1/2 ODF ANG	5 FT	056021
			FC	3/8 X 1/2 ODF S/T	5 FT	056331
			FC	3/8 X 1/2 SAE ANG	5 FT	054895
			FC	3/8 X 1/2 ODF ANG	5 FT	055993
		1	FC	3/8 X 1/2 ODF S/T	5 FT	056151
			FC	3/8 X 1/2 SAE ANG	5 FT	054909
			FC	3/8 X 1/2 ODF ANG	5 FT	055994
		1-1/2	FC	3/8 X 1/2 SAE ANG	5 FT	054917
			FC	3/8 X 1/2 ODF S/T	5 FT	053266
		2	FC	3/8 X 1/2 SAE ANG	5 FT	053069
FC	3/8 X 1/2 SAE ANG		5 FT	054138		
R-134a R-12	HFE	1/2	MC	3/8 X 1/2 ODF S/T	5 FT	065645
			MC	3/8 X 1/2 SAE ANG	5 FT	057616
		3/4	MC	3/8 X 1/2 ODF ANG	5 FT	057784
			MC	3/8 X 1/2 ODF S/T	5 FT	059422
		1	MC	3/8 X 1/2 ODF ANG	5 FT	058546
			MC	3/8 X 1/2 ODF S/T	5 FT	065646
			MC	3/8 X 1/2 SAE ANG	5 FT	057617
		1-1/2	MC	3/8 X 1/2 SAE ANG	5 FT	057895
			MC	3/8 X 1/2 ODF S/T	5 FT	065647
		1-3/4	MC	3/8 X 1/2 SAE	5 FT	058152
			MC	3/8 X 1/2 SAE ANG	5 FT	057896
		4	MC	3/8 X 1/2 ODF ANG	5 FT	057897
			MC	5/8 X 7/8 ODF S/T	5 FT	057903
		11	MC	5/8 X 7/8 ODF S/T	5 FT	057906
			MC	7/8 X 1 1/8 ODF S/T	5 FT	058681
		14	MC	7/8 X 1 3/8 ODF S/T	5 FT	064000
			MC	3/8 X 1/2 ODF S/T	5 FT	055927
		R-22 R-407C	HFE	1/4	HC	3/8 X 1/2 SAE
HZ	3/8 X 1/2 SAE				5 FT	054925
HC	1/4 X 1/2 SAE ANG				5 FT	059079
1/2	HC			3/8 X 1/2 ODF ANG	5 FT	054838
	HC			3/8 X 1/2 ODF S/T	5 FT	055827
	HC			3/8 X 1/2 SAE	5 FT	054361
	HZ			3/8 X 1/2 ODF S/T	5 FT	055889
	HZ			3/8 X 1/2 SAE	5 FT	054365
	HC			3/8 X 1/2 ODF ANG	5 FT	055494
1	HC			3/8 X 1/2 ODF S/T	5 FT	055708
	HC			3/8 X 1/2 SAE	5 FT	054930
	HW 35			3/8 X 1/2 SAE	5 FT	054932
	HZ			3/8 X 1/2 SAE	5 FT	054931
	HC			3/8 X 1/2 ODF ANG	5 FT	055495
1-1/2	HC			3/8 X 1/2 ODF S/T	5 FT	055863
	HC			3/8 X 1/2 SAE	5 FT	054936
	HZ			3/8 X 1/2 ODF S/T	5 FT	055870
	HZ			3/8 X 1/2 SAE	5 FT	054937
	HC			3/8 X 1/2 ODF S/T	5 FT	055706
2	HC			3/8 X 1/2 SAE	5 FT	054942
	HC			3/8 X 1/2 SAE ANG	5 FT	054946
	HZ			3/8 X 1/2 SAE	5 FT	054943
2-1/2	HC			3/8 X 1/2 ODF ANG	5 FT	056042
	HC			3/8 X 1/2 ODF S/T	5 FT	055931
	HC			3/8 X 1/2 SAE	5 FT	054950
3	HC			3/8 X 1/2 ODF ANG	5 FT	054756
	HC			3/8 X 1/2 ODF S/T	5 FT	053916
	HC			3/8 X 1/2 SAE	5 FT	053317
	HC			1/2 X 5/8 ODF ANG	5 FT	064761
	HCA			3/8 X 1/2 ODF S/T	5 FT	058648
	HCA	1/2 X 5/8 ODF ANG	5 FT	061730		
	HZ	3/8 X 1/2 ODF S/T	5 FT	055924		
	HZ	3/8 X 1/2 SAE	5 FT	053191		

Ordering Information (continued)

HF Series – Externally Equalized (continued)								
Refrigerant	Series	Tons*	Charge	Connections	Cap Tube	PCN		
R-22 R-407C	HFE	5-1/2	HC	3/8 X 1/2 ODF S/T	5 FT	054141		
			HC	3/8 X 1/2 SAE	5 FT	054140		
			HC	1/2 X 5/8 ODF ANG	5 FT	054778		
			HC	1/2 X 7/8 ODF S/T	5 FT	055187		
			HC	5/8 X 7/8 ODF S/T	5 FT	054779		
			HCA	3/8 X 1/2 ODF S/T	5 FT	065649		
			HCA	1/2 X 5/8 ODF ANG	5 FT	057378		
			HZ	3/8 X 1/2 ODF S/T	5 FT	054780		
		HZ	3/8 X 1/2 SAE	5 FT	054777			
		8	HC	1/2 X 5/8 ODF S/T	5 FT	057312		
			HC	5/8 X 1 1/8 ODF ST	5 FT	057313		
			HCA	1/2 X 7/8 ODF S/T	5 FT	056818		
			HCA	5/8 X 1 1/8 ODF ST	5 FT	056819		
		10	HC	1/2 X 5/8 ODF S/T	5 FT	057315		
			HC	5/8 X 7/8 ODF S/T	5 FT	057256		
			HC	7/8 X 1 1/8 ODF S/T	5 FT	057316		
			HCA	5/8 X 7/8 ODF S/T	5 FT	056820		
		12	HCA	5/8 X 1 1/8 ODF S/T	5 FT	056821		
			HC	5/8 X 1 1/8 ODF S/T	5 FT	062737		
		15	HC	5/8 X 7/8 ODF S/T	5 FT	057317		
			HC	7/8 X 1 1/8 ODF S/T	5 FT	057318		
			HCA	5/8 X 1 1/8 ODF S/T	5 FT	056824		
			HCA	5/8 X 7/8 ODF S/T	5 FT	056823		
		20	HCA	7/8 X 1 1/8 ODF S/T	5 FT	056825		
			HC	7/8 X 1 1/8 ODF S/T	5 FT	062055		
		R-404A R-507 R-502	HFE	1/4	SW 45	3/8 X 1/2 ODF S/T	5 FT	065734
					SZ	3/8 X 1/2 ODF S/T	5 FT	065733
				1/2	SC	3/8 X 1/2 ODF ANG	5 FT	058976
SW 45	3/8 X 1/2 ODF S/T				5 FT	065736		
SZ	3/8 X 1/2 ODF ANG				5 FT	058995		
1	SZ			3/8 X 1/2 ODF S/T	5 FT	065735		
	SC			3/8 X 1/2 ODF S/T	5 FT	065650		
	SW 45			3/8 X 1/2 ODF ANG	5 FT	059086		
	SW 45			3/8 X 1/2 ODF S/T	5 FT	065651		
1-1/4	SZ			3/8 X 1/2 ODF S/T	5 FT	064289		
	SC			3/8 X 1/2 ODF ANG	5 FT	058977		
	SW 45			3/8 X 1/2 ODF S/T	5 FT	057976		
1-1/2	SZ			3/8 X 1/2 ODF S/T	5 FT	065737		
	SC			3/8 X 1/2 ODF S/T	5 FT	057974		
	SW 45			3/8 X 1/2 ODF S/T	5 FT	065738		
2	SZ			3/8 X 1/2 ODF S/T	5 FT	064290		
	SC			3/8 X 1/2 ODF S/T	5 FT	057958		
	SW 45			3/8 X 1/2 ODF S/T	5 FT	065740		
3-1/2	SZ			3/8 X 1/2 ODF S/T	5 FT	065739		
	SC			3/8 X 1/2 ODF S/T	5 FT	065652		
	SC			5/8 X 7/8 ODF S/T	5 FT	062151		
5	SZ			1/2 X 5/8 ODF S/T	5 FT	061694		
	SW 45			5/8 X 7/8 ODF S/T	5 FT	064170		
7	SZ			5/8 X 7/8 ODF S/T	5 FT	058451		
	SW 45			5/8 X 7/8 ODF S/T	5 FT	064291		
10	SZ			5/8 X 7/8 ODF S/T	5 FT	064195		
	SW 45			5/8 X 7/8 ODF S/T	5 FT	062828		

Ordering Information (continued)

HF Series – Externally Equalized (continued)									
Refrigerant	Series	Tons*	Charge	Connections	Cap Tube	PCN			
R-502	HFE	1/4	RC	3/8 X 1/2 SAE	5 FT	054366			
			RC	3/8 X 1/2 ODF ANG	5 FT	055092			
			RZ	3/8 X 1/2 ODF ANG	5 FT	055491			
			RZ	3/8 X 1/2 SAE	5 FT	054370			
		1/2	RC	3/8 X 1/2 ODF ANG	5 FT	055992			
			RC	3/8 X 1/2 ODF S/T	5 FT	056022			
			RC	3/8 X 1/2 SAE	5 FT	054967			
			RW 45	3/8 X 1/2 ODF ANG	5 FT	055996			
			RW 45	3/8 X 1/2 SAE	5 FT	054969			
			RZ	3/8 X 1/2 ODF ANG	5 FT	055497			
			RZ	3/8 X 1/2 ODF S/T	5 FT	056024			
			RZ	3/8 X 1/2 SAE	5 FT	054968			
			R-502	HFE	1	RC	3/8 X 1/2 ODF ANG	5 FT	054983
						RC	3/8 X 1/2 ODF S/T	5 FT	056029
RC	3/8 X 1/2 SAE	5 FT				054979			
RW 45	3/8 X 1/2 SAE	5 FT				054981			
RZ	3/8 X 1/2 ODF ANG	5 FT				055496			
RZ	3/8 X 1/2 ODF S/T	5 FT				056225			
1-1/2	RZ	3/8 X 1/2 SAE			5 FT	054980			
	RC	3/8 X 1/2 ODF ANG			5 FT	055657			
	RC	3/8 X 1/2 ODF S/T			5 FT	056031			
	RC	3/8 X 1/2 SAE			5 FT	054988			
	RW 45	3/8 X 1/2 ODF ANG			5 FT	055991			
	RW 45	3/8 X 1/2 ODF S/T			5 FT	056032			
	RW 45	3/8 X 1/2 SAE			5 FT	054990			
	RZ	3/8 X 1/2 ODF ANG			5 FT	055498			
2	RZ	3/8 X 1/2 SAE	5 FT	054989					
	RC	3/8 X 1/2 ODF ANG	5 FT	054768					
	RC	3/8 X 1/2 ODF S/T	5 FT	053270					
	RC	3/8 X 1/2 SAE	5 FT	053070					
	RW 45	3/8 X 1/2 SAE	5 FT	054992					
	RZ	3/8 X 1/2 ODF S/T	5 FT	053271					
	RZ	3/8 X 1/2 ODF ANG	5 FT	054844					
	RZ	3/8 X 1/2 SAE	5 FT	053071					
	3-1/2	RC	3/8 X 1/2 ODF ANG	5 FT	054783				
		RC	3/8 X 1/2 ODF S/T	5 FT	054143				
RC		3/8 X 1/2 SAE	5 FT	054142					
RW 45		3/8 X 1/2 ODF ANG	5 FT	058907					
RZ		3/8 X 1/2 ODF ANG	5 FT	054785					
RZ		3/8 X 1/2 ODF S/T	5 FT	054784					
5	RZ	3/8 X 1/2 SAE	5 FT	054145					
	RC	3/8 X 1/2 ODF S/T	5 FT	058875					
	RC	5/8 X 7/8 ODF S/T	5 FT	058608					
	RW 45	5/8 X 7/8 ODF S/T	5 FT	058305					
7	RZ	1/2 X 5/8 ODF ANG	5 FT	061196					
	RC	5/8 X 7/8 ODF S/T	5 FT	058607					
10	RW 45	5/8 X 7/8 ODF S/T	5 FT	059291					
	RC	5/8 X 7/8 ODF S/T	5 FT	058808					

* For interchangeable refrigerant charges R-134a/R-12, R-404A/R-507/R-502, and R-22/R-407C, the tons of capacity shown in the table are for the first (primary) refrigerant listed. Consult the Nominal Capacity Table for determining the tons of capacity for the secondary refrigerants listed.

Example: A 1/4 ton R-12 valve is required. What R-134a ton valve should be selected?

Solution: From the Nominal Capacity Table, a 1/2 ton R-134a valve is equivalent to a 1/4 ton R-12 valve.

Ordering Information (continued)

HFESC Series – Externally Equalized (continued)						
Refrigerant	Series	Tons*	Charge	Connections	Cap Tube	PCN
R-12	HFESC	1/2	FC	3/8 X 1/2 ODF ANG	5 FT	057397
		1	FC	3/8 X 1/2 ODF ANG	5 FT	057398
		1-1/2	FC	3/8 X 1/2 ODF ANG	5 FT	057399
R-134a R-12	HFESC	1/4	MC	3/8 X 1/2 ODF ANG	5 FT	057572
		1/2	MC	3/8 X 1/2 ODF ANG	5 FT	058069
		1	MC	3/8 X 1/2 ODF ANG	5 FT	057570
		1-1/2	MC	3/8 X 1/2 ODF ANG	5 FT	057568
		2-1/2	MC	3/8 X 1/2 ODF ANG	5 FT	058421
R-22 R-407C	HFESC	1/4	HC	3/8 X 1/2 ODF ANG	5 FT	057409
			HZ	3/8 X 1/2 ODF ANG	5 FT	057428
		1/2	HC	3/8 X 1/2 ODF ANG	5 FT	057291
			HZ	3/8 X 1/2 ODF ANG	5 FT	057429
		1	HC	3/8 X 1/2 ODF ANG	5 FT	057410
			HZ	3/8 X 1/2 ODF ANG	5 FT	057430
		1-1/2	HC	3/8 X 1/2 ODF ANG	5 FT	057292
			HZ	3/8 X 1/2 ODF ANG	5 FT	057321
		2	HZ	3/8 X 1/2 ODF ANG	5 FT	057433
			HC	3/8 X 1/2 ODF ANG	5 FT	057294
		2-1/2	HC	3/8 X 1/2 ODF ANG	5 FT	057411
			HZ	3/8 X 1/2 ODF ANG	5 FT	057434
		3	HC	3/8 X 1/2 ODF ANG	5 FT	057412
			HZ	3/8 X 1/2 ODF ANG	5 FT	057748
		5-1/2	HC	3/8 X 1/2 ODF ANG	5 FT	057781
8	HC	3/8 X 1/2 ODF ANG	5 FT	058609		
R-502	HFESC	1/4	RC	3/8 X 1/2 ODF ANG	5 FT	057436
			RZ	3/8 X 1/2 ODF ANG	5 FT	057454
		1/2	RC	3/8 X 1/2 ODF ANG	5 FT	057437
			RZ	3/8 X 1/2 ODF ANG	5 FT	057455
		1	RC	3/8 X 1/2 ODF ANG	5 FT	057438
			RW 45	3/8 X 1/2 ODF ANG	5 FT	057446
		1-1/2	RZ	3/8 X 1/2 ODF ANG	5 FT	057456
			RC	3/8 X 1/2 ODF ANG	5 FT	057439
		2	RW 45	3/8 X 1/2 ODF ANG	5 FT	057448
			RZ	3/8 X 1/2 ODF ANG	5 FT	057322
		2-1/2	RC	3/8 X 1/2 ODF ANG	5 FT	057440
			RZ	3/8 X 1/2 ODF ANG	5 FT	057457
		5	RC	3/8 X 1/2 ODF ANG	5 FT	057441
			RZ	3/8 X 1/2 ODF ANG	5 FT	057458
		7	RC	3/8 X 1/2 ODF ANG	5 FT	058595
10	RZ	3/8 X 1/2 ODF ANG	5 FT	059654		
	SC	5/8 X 7/8 ODF ANG	5 FT	065458		
	SC	5/8 X 7/8 ODF ANG	5 FT	064219		

HFSC Series – Internally Equalized						
Refrigerant	Series	Tons*	Charge	Connections	Cap Tube	PCN
R-134a R-12	HFSC	1/4	MC	3/8 X 1/2 ODF ANG	5 FT	057573
		1/2	MC	3/8 X 1/2 ODF ANG	5 FT	058067
R-22 R-407C	HFSC	1/4	HC	3/8 X 1/2 ODF ANG	5 FT	057467
			HZ	3/8 X 1/2 ODF ANG	5 FT	057293
		1/2	HC	3/8 X 1/2 ODF ANG	5 FT	057482
			HZ	3/8 X 1/2 ODF ANG	5 FT	057468
R-404A R-507 R-502	HFSC	2	HC	3/8 X 1/2 ODF ANG	5 FT	057470
		1/8	SC	3/8 X 1/2 ODF ANG	5 FT	058248
			SC	3/8 X 1/2 ODF ANG	5 FT	058249
		1/2	SC	3/8 X 1/2 ODF ANG	5 FT	058250
R-502	HFSC	1-1/4	SC	3/8 X 1/2 ODF ANG	5 FT	058252
			RC	3/8 X 1/2 ODF ANG	5 FT	057487
		1/4	RZ	3/8 X 1/2 ODF ANG	5 FT	057484
			RC	3/8 X 1/2 ODF ANG	5 FT	057488
		1	RZ	3/8 X 1/2 ODF ANG	5 FT	057485
	RC	3/8 X 1/2 ODF ANG	5 FT	057489		
	RZ	3/8 X 1/2 ODF ANG	5 FT	057486		

* For interchangeable refrigerant charges R-134a/R-12, R-404A/R-507/R-502, and R-22/R-407C, the tons of capacity shown in the table are for the first (primary) refrigerant listed. Consult the Nominal Capacity Table for determining the tons of capacity for the secondary refrigerants listed.

Example: A 1/4 ton R-12 valve is required. What R-134a ton valve should be selected? **Solution:** From the Nominal Capacity Table, a 1/2 ton R-134a valve is equivalent to a 1/4 ton R-12 valve.