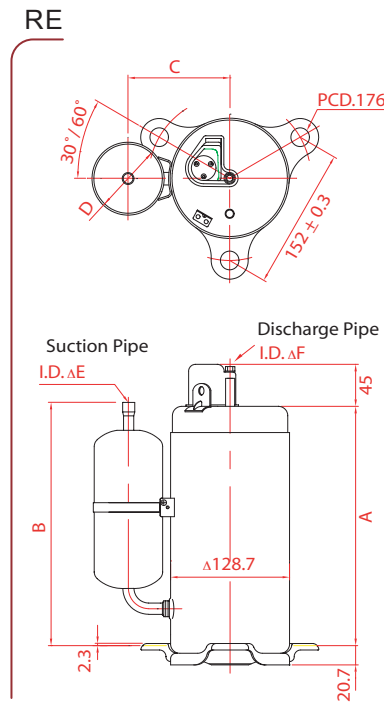


Models	Capacity			Input		Nominal Output		COP.	EER.	Run Cap.	Weight	Oil Q'ty
	W	Kcal/hr	Btu/hr	Watt	Amps	Hp	kW					
High EER Models												
a) Electrical 50 Hz : 220 - 240 Volt : 1 Phase												
RE135VHSMT	2,240	1,926	7,642	730	3.30	0.87	0.65	3.07	10.47	25 / 370	13.2	300
RE145VHSMT	2,420	2,081	8,257	790	3.60	0.94	0.70	3.06	10.43	25 / 370	13.2	300
RE154VHSMT	2,580	2,219	8,805	840	3.80	1.01	0.75	3.07	10.47	25 / 370	13.2	300
RE165VHSMT	2,770	2,382	9,452	890	4.10	1.07	0.80	3.11	10.63	25 / 370	13.2	300
RE174VHSMT	2,920	2,511	9,964	940	4.30	1.07	0.80	3.10	10.60	25 / 370	13.2	300
RE189VHSMT	3,211	2,761	10,956	1,010	4.80	1.14	0.85	3.17	10.83	30 / 370	15.1	520
RE197VHSMT	3,331	2,864	11,364	1,050	5.00	1.21	0.90	3.17	10.83	30 / 370	15.1	520
RE207VHSMT	3,520	3,027	12,011	1,110	5.20	1.34	1.00	3.17	10.83	30 / 370	15.1	520
RE231VHSMT	3,940	3,388	13,444	1,250	5.90	1.48	1.10	3.15	10.75	30 / 400	15.1	520
RE247VHSMT	4,220	3,629	14,400	1,340	6.40	1.61	1.20	3.15	10.75	35 / 400	15.1	520
RE277VHSMT	4,701	4,042	16,039	1,520	7.20	1.74	1.30	3.09	10.55	40 / 370	15.1	520
RE313VADMT	5,380	4,626	18,353	1,770	8.34	1.74	1.30	3.04	10.36	45 / 370	15.7	520
b) Electrical 60 Hz : 115 - 120 Volt : 1 Phase												
RE135WHHMT	2,850	2,451	9,724	890	7.89	0.87	0.65	3.20	10.90	75 / 220	13.3	300
RE174WHHMT	3,640	3,130	12,419	1,130	9.93	1.14	0.85	3.22	11.00	85 / 220	13.2	300
c) Electrical 60 Hz : 208 - 230 Volt : 1 Phase												
RE135NHHT	2,719	2,338	9,279	868	4.12	0.87	0.65	3.13	10.69	25 / 370	13.3	300
RE174NHHT	3,610	3,104	12,317	1,138	4.19	1.07	0.80	3.17	10.82	25 / 370	13.2	300
RE207NRAMT	4,250	3,654	14,509	1,350	6.34	1.34	1.00	3.15	10.74	30 / 370	15.1	520
RE220NRAMT	4,500	3,869	15,354	1,422	6.64	1.34	1.00	3.16	10.80	30 / 370	15.1	520
RE231NRAMT	4,760	4,093	16,241	1,511	6.96	1.48	1.10	3.15	10.74	30 / 370	15.1	520
RE277NRAMT	5,660	4,867	19,311	1,805	8.55	1.74	1.30	3.15	10.70	40 / 370	15.4	520

Note : 1. Testing condition ASRE-T, for V code at 1Phase 220Volt 50Hz, for N code at 1Phase 220Volt 60Hz, for W code at 1Phase 115Volt 60Hz
 2. All figures indicated are nominal value, for detailed specification, please contact sales representative
 3. Oil type is FV50S

	Dimension (mm.)					
	A	B	C	D	E	F
RE135-174VHSMT	211.3	240.8	101.0	60.5	9.6	8.0
RE135-174WHHMT						
RE135-174NHHT						
RE189-277VHSMT	256.2	260.5	110.5	74.0	12.7	8.0
RE207-277NRAMT						
RE313VADMT	261.2	282.5	110.5	74.0	12.7	9.7



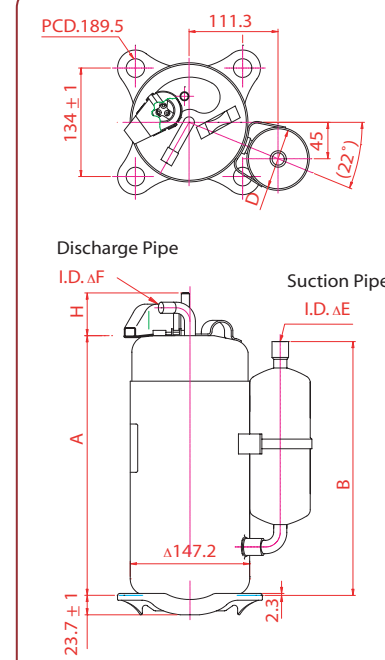
Models	Capacity			Input		Nominal Output		COP.	EER.	Run Cap.	Weight	Oil Q'ty
	W	Kcal/hr	Btu/hr	Watt	Amps	Hp	kW					
High EER Models												
PE												
4Legs												
a) Electrical 50 Hz : 220 - 240 Volt : 1 Phase												
PE33VPENT	5,777	4,967	19,725	1,850	8.60	2.01	1.50	3.13	10.66	50 / 370	22.7	900
PE36VPENT	6,227	5,354	21,261	2,010	9.40	2.15	1.60	3.11	10.58	55 / 400	22.7	900
PE39VPENT	6,664	5,730	22,738	2,150	10.10	2.28	1.70	3.09	10.55	60 / 400	22.7	900
PE41VPJMT	7,360	6,328	25,114	2,305	10.80	2.55	1.90	3.19	10.90	60 / 400	22.3	900
b) Electrical 60 Hz : 208 - 230 Volt : 1 Phase												
PE33NPBMT	6,877	5,917	23,479	2,210	10.40	2.01	1.50	3.11	10.61	35 / 370	22.7	900
PE36NPBMT	7,427	6,386	25,355	2,400	11.30	2.15	1.60	3.09	10.54	35 / 370	22.7	900
PE39NPBMT	8,113	6,976	27,232	2,580	12.10	2.28	1.70	3.09	10.54	35 / 370	22.7	900
3Legs												
a) Electrical 50 Hz : 220 - 240 Volt : 1 Phase												
PE33VTEMT	5,777	4,967	19,725	1,850	8.60	2.01	1.50	3.13	10.66	50 / 370	22.7	900
PE36VTEMT	6,227	5,354	21,261	2,010	9.40	2.15	1.60	3.11	10.58	55 / 400	22.7	900
PE39VTEMT	6,664	5,730	22,738	2,150	10.10	2.28	1.70	3.09	10.55	60 / 400	22.7	900
PE41VTJMT	7,360	6,328	25,114	2,305	10.80	2.55	1.90	3.19	10.90	60 / 400	22.3	900
b) Electrical 60 Hz : 208 - 230 Volt : 1 Phase												
PE33NTBMT	6,877	5,913	23,479	2,210	10.40	2.01	1.50	3.11	10.61	35 / 370	22.7	900
PE36NTBMT	7,427	6,386	25,355	2,400	11.30	2.15	1.60	3.09	10.54	35 / 370	22.7	900
PE39NTBMT	7,981	6,862	27,232	2,580	12.10	2.28	1.70	3.09	10.54	35 / 370	22.7	900

Models	Capacity			Input		Nominal Output		COP.	EER.	Run Cap.	Weight	Oil Q'ty
	W	Kcal/hr	Btu/hr	Watt	Amps	Hp	kW					
High EER Models												
NE												
a) Electrical 50 Hz : 220 - 240 Volt : 1 Phase												
NE41VNHMT	7,270	6,252	24,805	2,330	10.60	2.55	1.90	3.12	10.65	45 / 420	31.3	1300
NE44VNHMT	7,850	6,751	26,784	2,500	11.70	2.68	2.00	3.14	10.71	50 / 420	31.3	1300
NE47VNHMT	8,380	7,207	28,593	2,670	12.40	2.95	2.20	3.14	10.71	50 / 420	32.2	1300
NE52VNHMT	9,380	8,067	32,005	3,020	14.10	3.35	2.50	3.11	10.60	60 / 420	32.2	1300
NE56VNHMT	10,260	8,824	35,007	3,360	15.90	3.62	2.70	3.05	10.42	60 / 420	32.2	1300
b) Electrical 50/60 Hz : 380 - 415/460 Volt : 3 Phases												
NE41YDNMT	7,150	6,149	24,396	2,210	3.80	2.55	1.90	3.24	11.04	-	30.3	1300
NE44YDNMT	7,790	6,699	26,579	2,420	4.10	2.68	2.00	3.22	10.98	-	30.3	1300
NE47YDNMT	8,350	7,181	28,490	2,580	4.50	2.95	2.20	3.24	11.04	-	30.3	1300
NE52YDNMT	9,480	8,153	32,346	2,950	5.20	3.35	2.50	3.21	10.96	-	31.3	1300
NE56YDNMT	10,200	8,772	34,802	3,240	5.60	3.62	2.70	3.15	10.74	-	32.2	1300

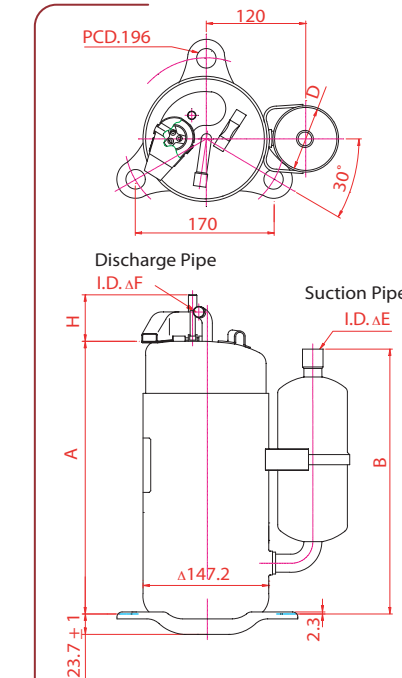
Note : 1. Testing condition ASRE-T, for V code at 1Phase 220Volt 50Hz, for N code at 1Phase 220Volt 60Hz.
 2. All figures indicated are nominal value, for detailed specification, please contact sales representative.
 3. Oil type is FV50S.

	Model	Dimension (mm.)					
		A	B	D	E	F	H
PE (4 legs)	PE33-39VPENT	316.3	308.9	74.0	16.0	9.6	52.0
	PE33-39NPBMT						
	PE41VPJMT	316.3	308.9	74.0	16.0	9.6	None
PE (3 legs)	PE33-39VTEMT	316.3	308.9	74.0	16.0	9.6	52.0
	PE33-39NTBMT						
	PE41VTJMT	316.3	308.9	74.0	16.0	9.6	None
NE	NE41-56VNHMT	341.3	392.3	74.0	16.0	9.6	52.0
	NE41-56YDNMT	341.3	392.3	74.0	16.0	9.6	None

PE (4Legs)



PE (3Legs)



NE

