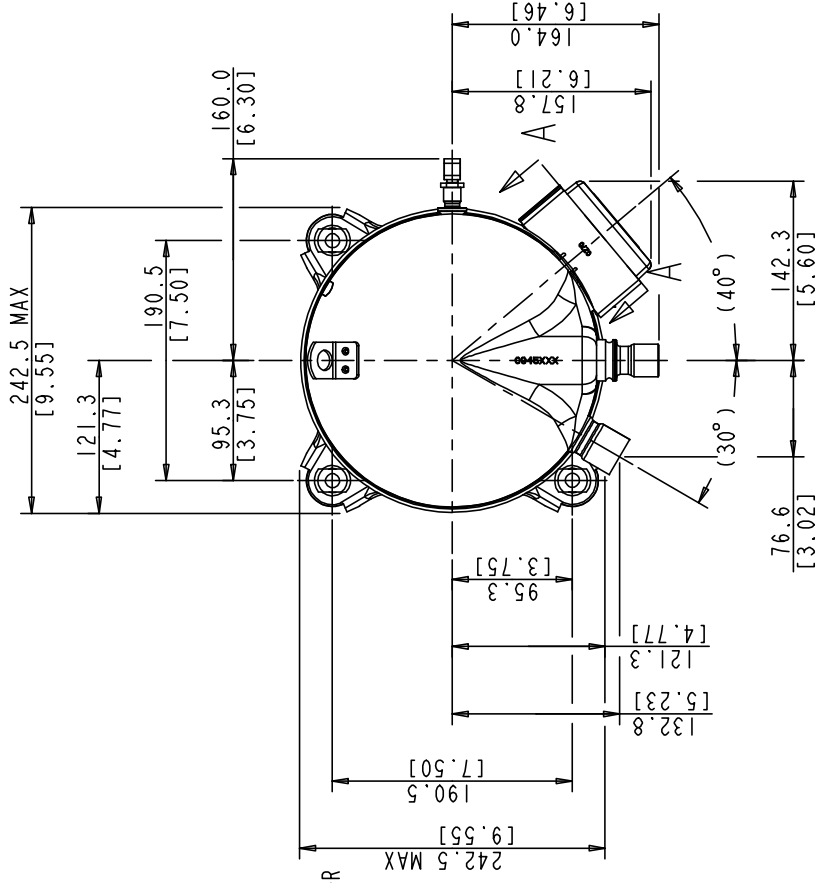
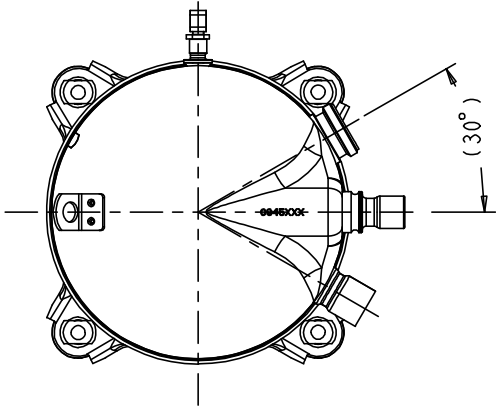


ZR94, ZP90



SIGHTGLASS LAYOUT
T-BOX REMOVED

Ø 22.30-22.42 [0.878-0.883] ID
▽ 20.0 [0.787] MIN COPPER
DISCHARGE FITTING/STEEL
CHECK VALVE

Ø 28.49-28.67 [1.122-1.129] ID
▽ 22.6 [0.890] MIN
0.06 [0.002] MIN THICK EXTERIOR
AND 0.038 [0.0015] MIN THICK
INTERIOR COPPER PLATED STEEL
SUCTION FITTING

