

# PACKED SHUT-OFF VALVES

Packed valves are so called as the stem is sealed via a packed gland. The Henry Technologies range incorporates the 7, 926, 927 and 203 series.

## Applications

Henry Technologies packed valves are used in a variety of air conditioning and refrigeration applications for isolating, flow control, charging and purging purposes.

All valves are suitable for HCFC and HFC refrigerants, along with their associated oils.

The 7761 to 7775 models are also suitable for ammonia.

## Main features

- Wide range of inlet and outlet connection sizes
- Compact
- Back-seating options allow packing replacement in-situ

## Technical Specification

Allowable operating pressure = 0 to 34.5 barg (77-B & 78 series)

Allowable operating pressure = 0 to 48.0 barg (92 brass series)

Allowable operating pressure = 0 to 31.0 barg (203 series)

Allowable operating pressure = 0 to 69.0 barg (77 steel series)

Allowable operating temperature = -29°C to +149°C  
(All valves except 203 series)

Allowable operating temperature = -40°C to +163°C  
(203 series only)

## Materials of Construction

### For 77-B, 78 and 92 brass series:-

The valve body is made from brass. The stem is made from plated steel. A metal-to-metal seat seal is used. A graphite compound is used for the packing gland. The seal cap is made from moulded plastic.

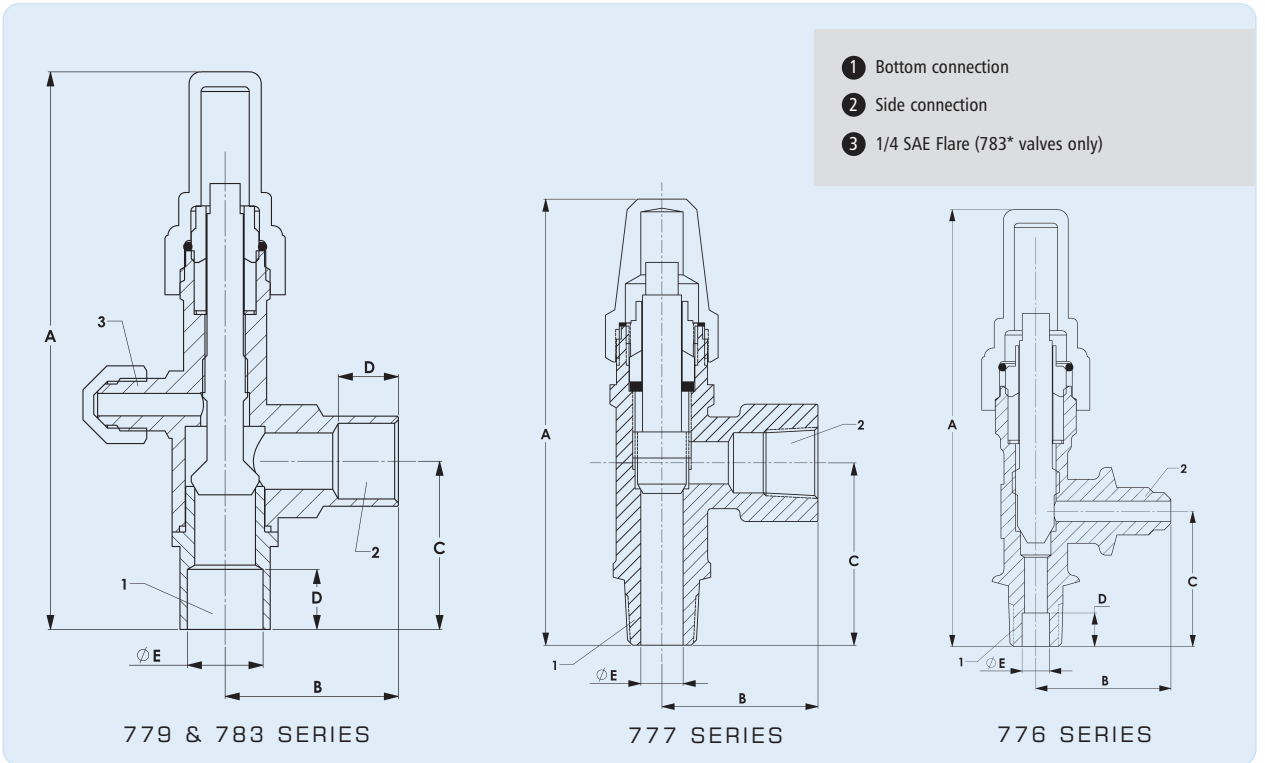
### For 203 brass series:-

The valve body and bonnet are made from bronze and brass respectively. The stem is made from stainless steel. The seat seal material is PTFE. A graphite compound is used for the packing gland. The seal cap is made from moulded plastic.

### For 77 steel series:-

The valve body is made from steel. The stem is made from plated steel. A metal-to-metal seat seal is used. A graphite compound is used for the packing gland. The seal cap is made from moulded plastic or steel.

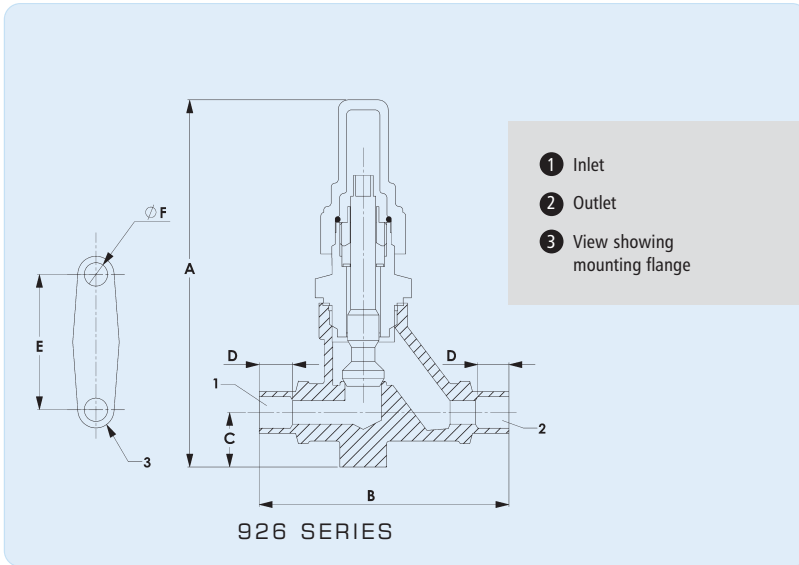




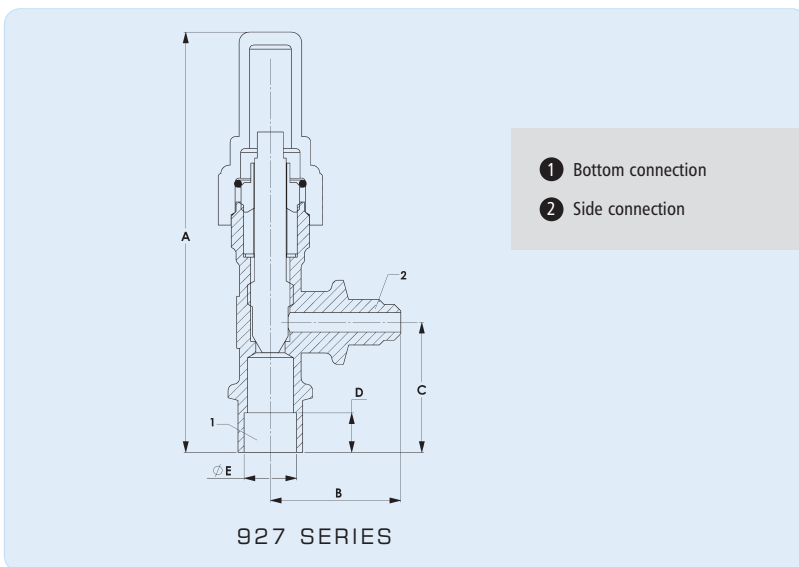
	Part No	Conn Size (inch)		Dimensions (mm)				Ø E (inch)	Weight (kg)	MWP (barg)	CE Cat
		Bottom	Side	A	B	C	D				
Non-backseating	7761-B	1/4 MPT	1/4 SAE Flare	98	32	32	8	1/4 ODS	0.15	34.5	SEP
	7771-B	1/4 MPT	1/4 FPT	98	32	32	8	5/16 ODS	0.15	34.5	SEP
	7763-B	1/4 MPT	3/8 SAE Flare	98	32	32	8	5/16 ODS	0.14	34.5	SEP
	7764-B	3/8 MPT	1/4 SAE Flare	98	32	32	8	3/8 ODS	0.15	34.5	SEP
	7766-B	3/8 MPT	3/8 SAE Flare	98	32	32	8	3/8 ODS	0.14	34.5	SEP
	7767-B	3/8 MPT	1/2 SAE Flare	98	32	32	8	3/8 ODS	0.15	34.5	SEP
	7768-AB	1/2 MPT	3/8 SAE Flare	99	33	35	10	1/2 ODS	0.32	34.5	SEP
Backseating	7768-B	1/2 MPT	5/8 SAE Flare	99	41	35	10	1/2 ODS	0.34	34.5	SEP
	7792-B	1/2 MPT	1/2 SAE Flare	122	37	40	N/A	1/2 ODS	0.31	34.5	SEP
	7793-B	1/2 MPT	5/8 SAE Flare	125	39	43	N/A	1/2 ODS	0.34	34.5	SEP
	7830*	3/8 ODS	3/8 ODS	110	33	29	8	3/8 ODS	0.24	34.5	SEP
	7831*	1/2 ODS	1/2 ODS	114	33	33	10	1/2 ODS	0.25	34.5	SEP
	7832*	5/8 ODS	5/8 ODS	117	32	36	13	5/8 ODS	0.26	34.5	SEP
	7833*	7/8 ODS	7/8 ODS	138	45	43	19	7/8 ODS	0.47	34.5	SEP
	7834*	1 1/8 ODS	1 1/8 ODS	180	45	51	24	1 1/8 ODS	0.79	34.5	SEP
	7835-CE*	1 3/8 ODS	1 3/8 ODS	188	51	57	25	1 3/8 ODS	1.10	34.5	Cat I
	7836-CE*	1 5/8 ODS	1 5/8 ODS	232	54	62	28	1 5/8 ODS	1.60	34.5	Cat I

\* 1/4 SAE Flare above backseat

	Part No	Conn Size (inch)		Dimensions (mm)				Weight (kg)	MWP (barg)	CE Cat	
		Bottom	Side	A	B	C	D				
Non-backseating	7761	1/4 MPT	1/4 SAE Flare	98	32	32	N/A	8	0.14	69	SEP
	7771	1/4 MPT	1/4 FPT	98	32	32	N/A	8	0.15	69	SEP
	7772	1/4 FPT	1/4 FPT	98	32	32	N/A	8	0.15	69	SEP
	7773	3/8 MPT	3/8 FPT	109	38	44	N/A	10	0.38	69	SEP
	7774	3/8 FPT	3/8 FPT	109	38	44	N/A	10	0.38	69	SEP
	7775	1/2 MPT	1/2 FPT	109	38	44	N/A	12	0.39	69	SEP



Backseating	Part No	Conn Size (inch)	Dimensions (mm)					ØF	Weight (kg)	MWP (barg)	CE Cat
			A	B	C	D	E				
	9261	1/4 ODS	112	70	17	8	41.4	7.1	0.36	48	SEP
	9263	3/8 ODS	112	76	17	10	41.4	7.1	0.36	48	SEP
	9264	1/2 ODS	112	81	17	11	41.4	7.1	0.36	48	SEP
	9265	5/8 ODS	114	86	18	18	41.4	7.1	0.36	48	SEP



Non-backseating	Part No	Conn Size (inch)		Dimensions (mm)				E (inch)	Weight (kg)	MWP (barg)	CE Cat
		Bottom	Side	A	B	C	D				
	9270	1/4 ODS	1/4 SAE Flare	98	32	32	8	1/4 ODS	0.15	48	SEP
	9271	3/8 ODS	1/4 SAE Flare	98	32	32	8	3/8 ODS	0.15	48	SEP
	9272	3/8 ODS	3/8 SAE Flare	98	32	32	8	3/8 ODS	0.21	48	SEP
	9273	1/2 ODS	1/4 SAE Flare	98	32	32	10	1/2 ODS	0.15	48	SEP
	9274	1/2 ODS	3/8 SAE Flare	98	32	32	10	1/2 ODS	0.21	48	SEP