

Sight Glasses

Introduction

Ideal for the visual inspection of liquid refrigerant or oil levels, Heldon now offer a complete range of plated steel bodies, MNPT threaded, Sight Glasses with built-in fused lense. Suitable for a wide variety of pressure vessel applications, these sturdy items are suited for most refrigerants and oils.

Applications

Sight glasses are used in refrigeration and air conditioning systems for both liquid refrigerant and oil applications.

The SG-12 series sight glasses are suitable for HCFC and HFC refrigerants, along with their associated oils.

The SG -10 and SG -11 series sight glasses are suitable for HCFC, FC and ammonia refrigerants, along with their oils.



Manufacturing Standards

Manufactured to UL207

Features

- Three sight glass lens options - Reflex, Clear and Clear with float ball.
- Hermetically sealed fused glass construction.
- Plated Steel body.

Benefits

- Provides flexibility of application.
- Avoids potential leakage path.
- Corrosion resistant.

Technical Specifications

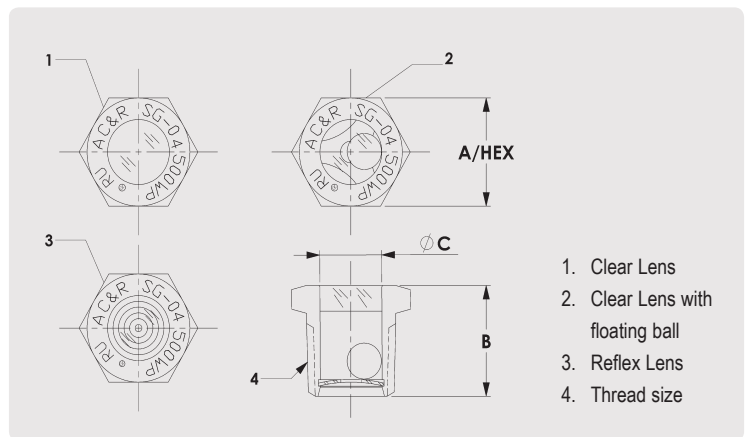
Safe Working Pressure = 3,450 kPa

SG-10 and SG-11 Series:

Allowable Operating Temperature = -40°C to 160°C

SG-12 Series:

Allowable Operating Temperature= -40°C to 90°C



Part No.			Thread Size NPT	Dimensions (mm)			Weight (kg)
Clear	Reflex	Clear W/Ball		A Hex	Length B	Dim. C	
SG-1004	SG-1104	SG-1204	1/2	23.9	24.3	14.3	0.03
SG-1006	SG-1106	SG-1206	3/4	28.4	26.9	19.1	0.06
SG-1008	SG-1108	SG-1208	1	35.1	33.6	23.8	0.12
SG-1010	SG-1110	SG-1210	1 1/4	44.5	35	30.2	0.20
SG-1012	SG-1112	SG-1212	1 1/2	50.8	35.9	33.4	0.29
SG-1016	SG-1116	SG-1216	2	63.5	36.1	41.4	0.46

SG-12 series is not suitable for use with ammonia

CAUTION: Overtightening should be avoided to prevent sight glass cracking