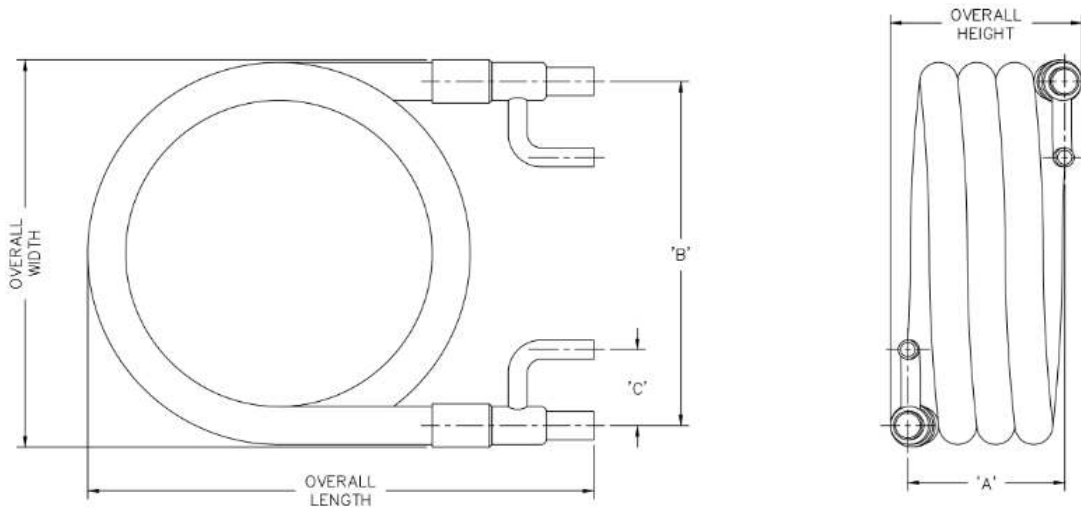


CHAX-3500-J

The Packless CHAX-3500-J can be used as a chiller or refrigerant evaporator in 5 ton systems. Packless chiller coils provide efficient heat transfer while minimizing fouling.



Model	CHAX-3500-J
Capacity	5 tons
Overall Length	22 ⁷ / ₈ in
Overall Width	21 in
Overall Height	7 ⁵ / ₁₆ in
Dimension A (See Drawing)	6 ³ / ₁₆ in
Dimension B (See Drawing)	16 ¹⁵ / ₁₆ in
Dimension C (See Drawing)	2 ¹ / ₂ in
Refrigerant Inlet Connection	³ / ₄ in (ID)
Refrigerant Outlet Connection	³ / ₄ in (ID)
Water Inlet Connection	1 ¹ / ₈ in (OD)
Water Outlet Connection	1 ¹ / ₈ in (OD)
Maximum Refrigerant Working Pressure	650 psig
Maximum Water Working Pressure	500 psig

