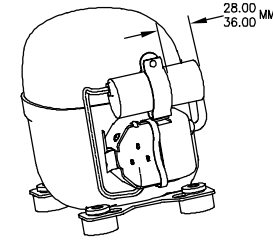
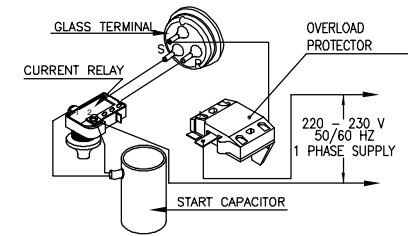


S/N.	MODELS
1	ECZ421HG-13F-37XX

ACCESSORIES-MOUNTING



WIRING DIAGRAM (CSIR) WITH CURRENT RELAY

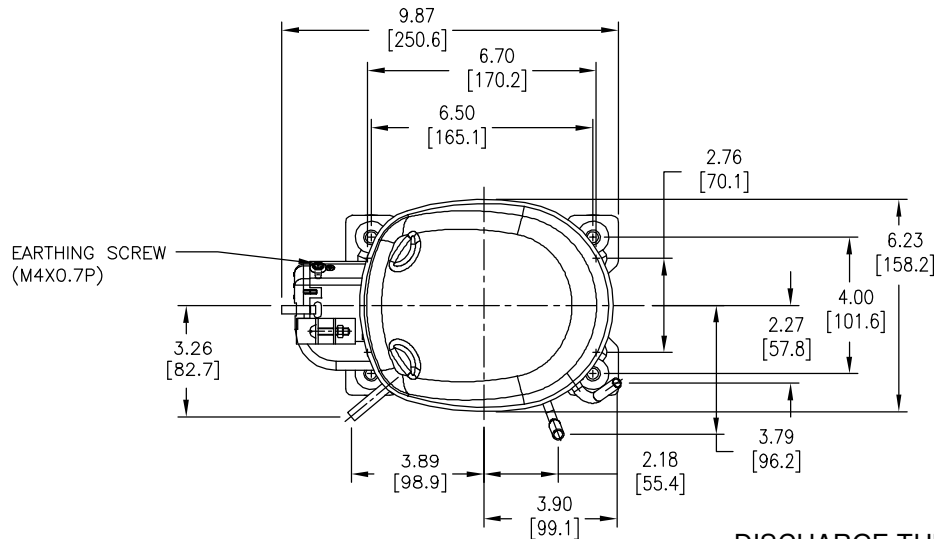


NOTES :

- ⊗ 1. FOOT MOUNTING BOLT TORQUE SHOULD NOT EXCEED 12 lb-ft (16.27 N-m).
- 2. COMPRESSOR COLOUR - BLACK.
- 3. BRACKETED DIMENSIONS ARE IN mm.
- ⚠ 4. RUBBER GROMMET MAY COMPRESS BY 0.03 [0.8] APPROXIMATELY DUE TO COMPRESSOR WEIGHT. THE RELATED DIMENSIONS MAY VARY ACCORDINGLY.
- 5. FOR PERFORMANCE DETAILS, REFER PRODUCT SPECIFICATION.
- 6. 5° MAXIMUM ALLOWABLE ANGLE OF COMPRESSOR MOUNTING.

GUIDELINES FOR HANDLING AND DISPOSAL OF PRODUCTS :

- 1. HANDLE PRODUCT WITH CARE AND IN UPRIGHT POSITION TO AVOID SPILLAGE OF COMPRESSOR OIL.
- 2. DISPOSE OFF RUBBER TUBE PLUGS THROUGH GOVERNMENT AUTHORIZED SCRAP CENTERS.
- 3. IF PRODUCT IS TO BE DISPOSED OFF THEN, PLEASE DO IT THROUGH GOVERNMENT AUTHORIZED SCRAP CENTERS.

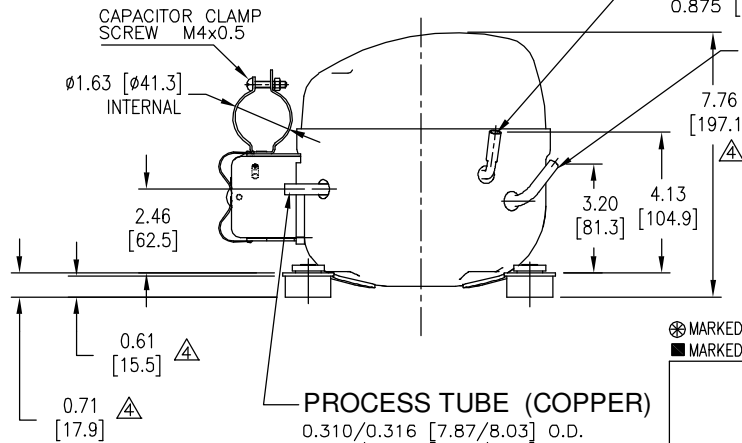


DISCHARGE TUBE (COPPER)

0.326/0.336 [8.28/8.53] O.D. (FLARED)
 0.254/0.257 [6.45/6.52] I.D. (FLARED)
 0.875 [22.23] MINIMUM LENGTH (FLARED)

SUCTION TUBE (COPPER)

0.310/0.316 [7.87/8.03] O.D.
 0.253/0.256 [6.43/6.50] I.D.
 0.990 [25.15] MINIMUM LENGTH



PROCESS TUBE (COPPER)

0.310/0.316 [7.87/8.03] O.D.
 0.253/0.256 [6.43/6.50] I.D.
 0.990 [25.15] MINIMUM LENGTH

⊗ MARKED PARAMETERS- CRITICAL
 ■ MARKED PARAMETERS- MAJOR

DUE TO ACCUMULATED ASSEMBLY TOLERANCES THE LISTED PARAMETERS MAY VARY FROM THE MOUNTING HOLES AS TABULATED BELOW. OTHER DIMENSIONS SHOWN ARE MEAN DIMENSIONS AND MAY VARY AS PER RESPECTIVE COMPONENT DRAWINGS.

TOTAL HEIGHT	±0.13 [3.2]	PROCESS TUBE	±0.19 [4.8]
DISCHARGE TUBE	±0.13 [3.2]	SUCTION TUBE	±0.19 [4.8]
MOUNTING HOLE CENTER DISTANCE	±0.03 [0.8]		



F21-0515-0388	A1	- NEW DRAWING RELEASED.			29.05.15	DVM		
ENGG NOTICE No.	REV.No.	REVISIONS			DATE	BY	CHKD	APPR

CONFIDENTIALITY NOTICE

THIS DRAWING AND INFORMATION CONTAINED HEREIN ARE THE EXCLUSIVE PROPERTY OF EMERSON CLIMATE TECHNOLOGIES (INDIA) LIMITED AND SHALL BE RETURNED UPON DEMAND AND SHALL NOT BE REPRODUCED IN WHOLE OR IN PART, DISCLOSED TO ANYONE ELSE OR USED, WITHOUT THE WRITTEN CONSENT OF EMERSON CLIMATE TECHNOLOGIES (INDIA) LIMITED.

UNLESS OTHERWISE SPECIFIED DIMENSIONS ARE IN INCH/MM UNSPECIFIED TOLERANCES 2-PLACE ± N/A 3-PLACE ± N/A ANGULAR ± N/A	DO NOT SCALE DRAWING	MATERIAL SPECIFICATION ---	DRAWN BY DVM	SUPERSEDES DWG No./ REV No. ---	
	THIRD ANGLE PROJECTION 		DATE 27.05.15	SCALE 1:4	DATE FORMAT: DD-MM-YY

TITLE	DRAWING NUMBER	SHEET: 01 OF 01	DWG
SALES COMPRESSOR	ECZ421HG-1XF-37XX		3
			SIZE

COPYRIGHT EMERSON CLIMATE TECHNOLOGIES (INDIA) LIMITED - CONFIDENTIAL