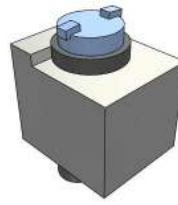




3Dfindit

powered by  **CADENAS**



SIEMENS

SAS..

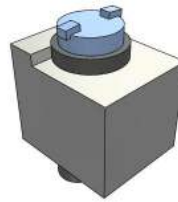
CONTENT

Augmented Reality (AR) - Digital meets real	2
3D preview of SAS..	3
Integrate Siemens Building Technologies EUROPEAN Portfolio catalog inside your CAD System	4
2D derivations and Bill-Of-Material (BOM)	5
Technical drawings	6
Technical data	7
Get a free E-Learning training for Siemens Building Technologies EUROPEAN Portfolio catalog	8



3Dfindit

powered by  CADENAS

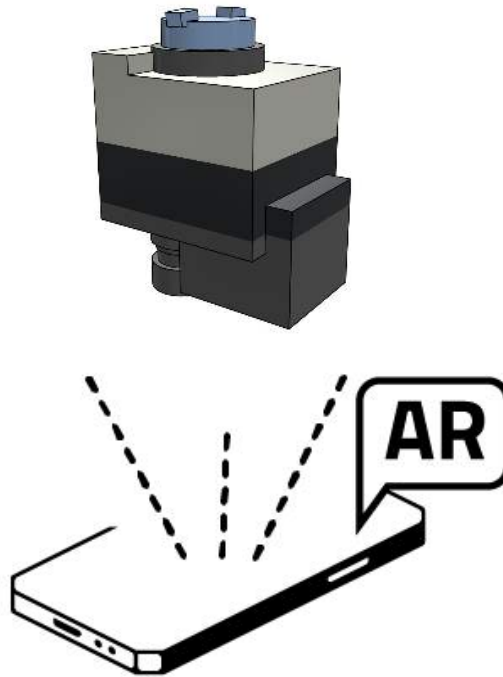


SIEMENS

SAS..

AR

Augmented Reality, often shortened to AR, is a technology that blends digital information into the real world. For more information, please click [here](#) or directly try yourself by scanning the QR code with your phone.



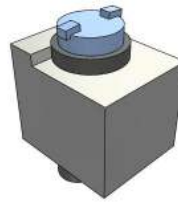
Please scan the QR code above and open on AR-enabled device.

There is a possibility that the configuration will fail. If that happens, please try a different product.



3Dfindit

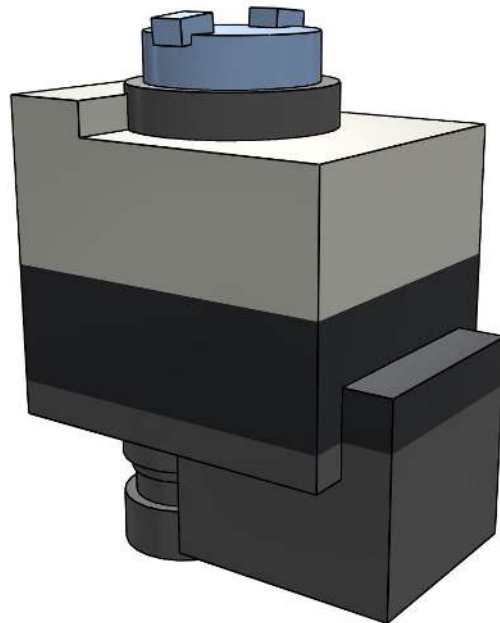
powered by  CADENAS



SIEMENS

SAS..

3D view



HOW TO ACTIVATE 3D?

To activate the interactive 3D view in Acrobat Reader, you need to select, at the top of the page, **Options** and then **Trust this document**



Zoom
Moves you toward or away from objects in the scene when you drag vertically. You can also zoom with the hand tool by holding down Shift as you drag.



Pan
Moves the model vertically and horizontally only. You can also pan with the hand tool: Ctrl-drag.

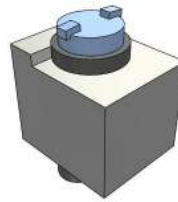


Rotate
Turns 3D objects around relative to the screen. How the objects move depends on the starting view, where you start dragging and the direction in which you drag.



3Dfindit

powered by CADENAS

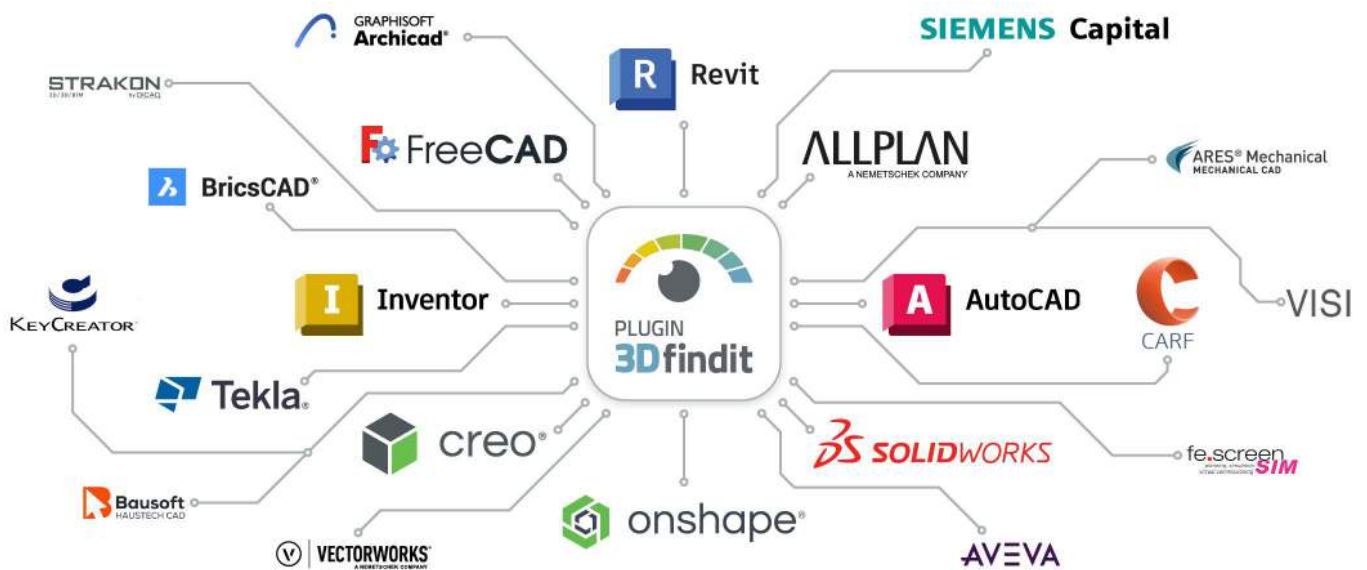


SIEMENS

SAS..

CAD plugins

With our CAD integrations, you can use 3Dfindit directly in your CAD system and make your work easier with additional comfort functions, such as replacing a part and many more.

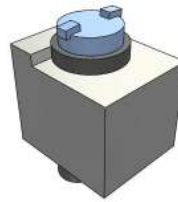


To the plugins



3Dfindit

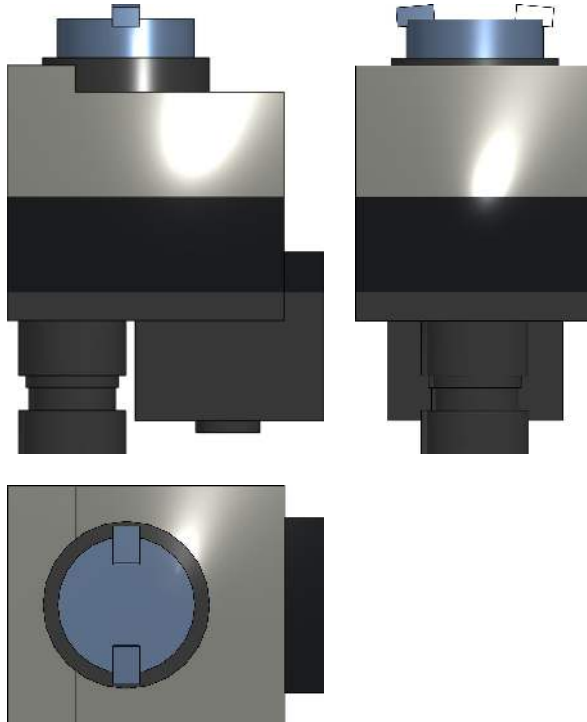
powered by  CADENAS



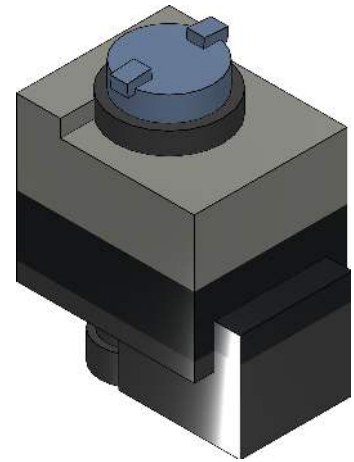
SIEMENS

SAS..

2D derivation



ISO view



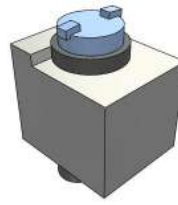
Bill-Of-Materials

N°	Description	Amount
1.1	SAS81.33 Ventilatortrieb 400N 5.5mm(0)	1



3Dfindit

powered by  **CADENAS**



SIEMENS

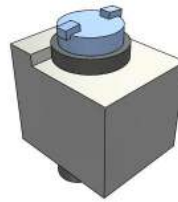
SAS..

Technical drawings



3Dfindit

powered by CADENAS



SIEMENS

SAS..

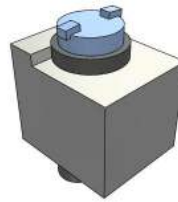
Technical data

SA010ID04 (Manufacturer's name)	Siemens Building Technologies EUROPEAN Portfolio
SA700ID04 (Product description)	SAS81.33 Valve Actuator 400N 5.5mm
SA110ID05 (Type (ASN))	SAS81.33
LODLEVEL (Level of detail)	Low
PREVIEW (Preview)	../../../../_pool_/e9/2d/sas612f812e33.png
BUSPROTOKOLL (Bus protocol)	
SA100ID04 (Drive type)	electromotive
SA700ID05 (nominal/operating voltage / V)	24
SA700ID06 (type of nominal/operating voltage)	AC
SA700ID09 (nominal frequency (according to DIN EN 50160) / Hz)	50/60
SA700ID12 (maximum power consumption AC (in starting state) / VA)	3.4
SA700ID29 (Protection class A)	IP54
SA700ID38 (lock against rotation)	no
SA700ID20 (maximum temperature of medium / °C)	130
SA700ID22 (minimum temperature of medium / °C)	1
SA700ID24 (maximum ambient temperature / °C)	55
SA700ID25 (minimum ambient temperature / °C)	-15
SA700ID26 (allowable ambient humidity (in operation) / % rF)	95
SA700ID27 (condensation allowable)	no
SA700ID32 (mass (net) / kg)	0.4
SA71006ID04 (Length / mm)	151
SA71006ID05 (Width / mm)	80
SA71006ID06 (Height / mm)	107
LINK ()	http://www.siemens.com/btproduct?S55158-A105
SA740ID04 ()	
SA810ID03 (Manufacturer's reference number)	S55158-A105
SA810ID04 (Datanorm number)	S55158-A105
SA810ID06 (GTIN number)	7612914069092
SA810ID10 (Description text)	Electromotoric actuator, 400 N, 5.5 mm, AC/DC 24 V, 3P, spring return function, 30 s
SA810ID14 (Quantity unit)	PCE
SA810ID15 (Quantity per packaging unit)	1
SA810ID16 (Name of the packaging unit)	NMP
SA010ID06 (Manufacturer's web address)	http://www.siemens.com/buildingtechnologies



3Dfindit

powered by  CADENAS



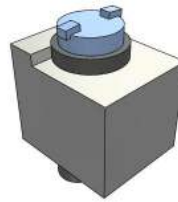
SIEMENS

SUPPORTLINK (Supportlink)	https://support.industry.siemens.com/cs/ww/en/ps/25261
SA010ID12 (Status of the manufacturer's catalog)	20210607
ETIMCLASSC (ETIM Classcode)	EC011290
ETIMCLASSN (ETIM Classname)	Electric servomotor
IFCEXPORT (IfcExportAs)	IfcActuator.USERDEFINED
OMNICLASSNU (OmniClass number)	23-27 33 11
OMNICLASS (OmniClass title)	Electrical Valve Actuators
UNICLASSC (Uniclass code)	Pr_75_50_18_94



3Dfindit

powered by  CADENAS



SIEMENS

SAS..

E-Learning

Discover free training for 3Dfindit, the search engine for engineers, designers, and architects. Our 30 to 50-minute interactive courses provide you with comprehensive knowledge about the platform. Upon successful completion, you will receive a certificate. Start your first course now and master 3Dfindit!

Become an Expert of Digital Engineering



3Dfindit

Boost your career and get ready for Industry 4.0!

[Learn more](#)

[Start course](#)

www.CADENAS.de
www.3Dfindit.com

◀ VISIT US AT 3Dfindit.com NOW!

8