



3Dfindit

powered by  **CADENAS**

SIEMENS

SIEMENS

VPF54

CONTENT

Augmented Reality (AR) - Digital meets real	2
3D preview of VPF54	3
Integrate Siemens Building Technologies EUROPEAN Portfolio catalog inside your CAD System	4
2D derivations and Bill-Of-Material (BOM)	5
Technical drawings	6
Technical data	7
Get a free E-Learning training for Siemens Building Technologies EUROPEAN Portfolio catalog	8



3Dfindit

powered by  CADENAS

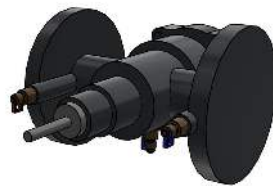
SIEMENS

SIEMENS

VPF54

AR

Augmented Reality, often shortened to AR, is a technology that blends digital information into the real world. For more information, please click [here](#) or directly try yourself by scanning the QR code with your phone.



Please scan the QR code above and open on AR-enabled device.

There is a possibility that the configuration will fail. If that happens, please try a different product.



3Dfindit

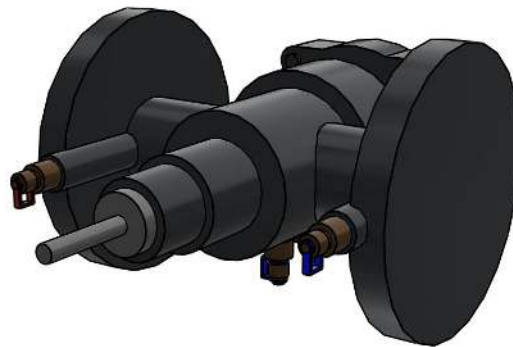
powered by  CADENAS

SIEMENS

SIEMENS

VPF54

3D view



HOW TO ACTIVATE 3D?

To activate the interactive 3D view in Acrobat Reader, you need to select, at the top of the page, **Options** and then **Trust this document**

Zoom

Moves you toward or away from objects in the scene when you drag vertically. You can also zoom with the hand tool by holding down Shift as you drag.

Pan

Moves the model vertically and horizontally only. You can also pan with the hand tool: Ctrl-drag.

Rotate

Turns 3D objects around relative to the screen. How the objects move depends on the starting view, where you start dragging and the direction in which you drag.



3Dfindit

powered by CADENAS

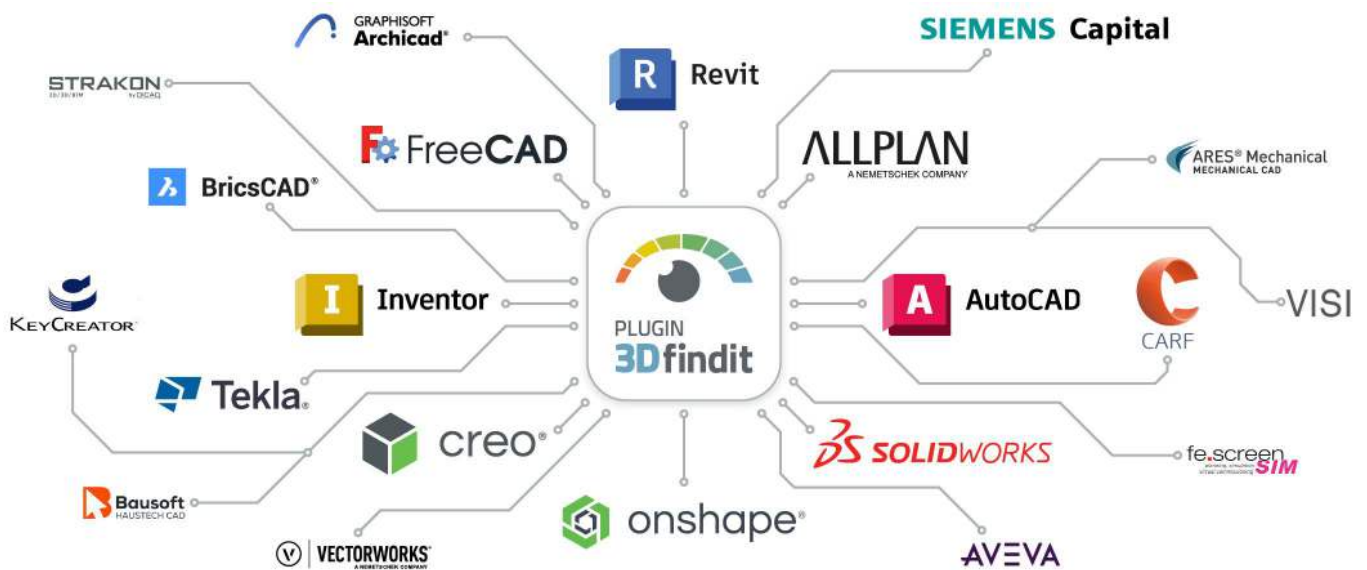
SIEMENS

SIEMENS

VPF54

CAD plugins

With our CAD integrations, you can use 3Dfindit directly in your CAD system and make your work easier with additional comfort functions, such as replacing a part and many more.



To the plugins



3Dfindit

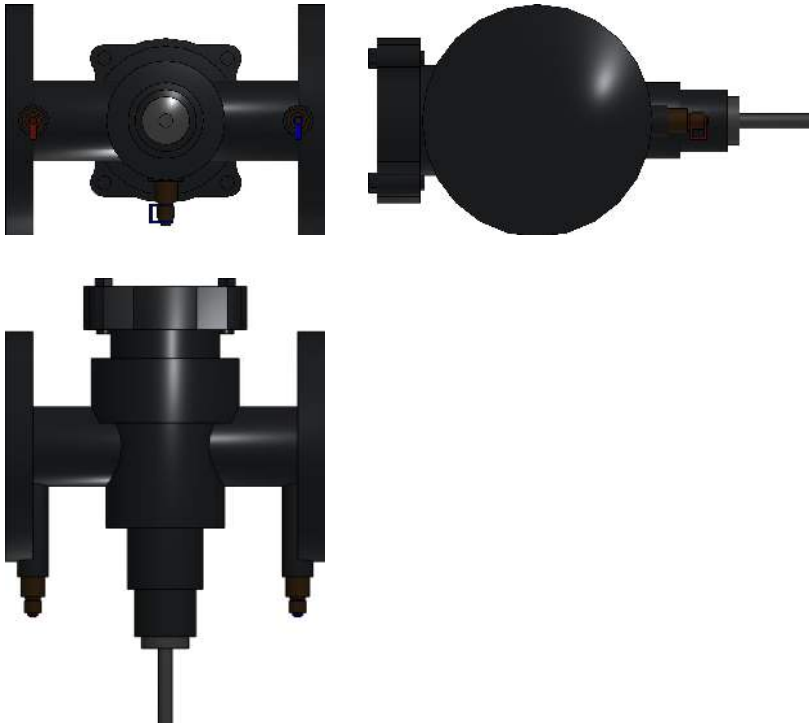
powered by  CADENAS

SIEMENS

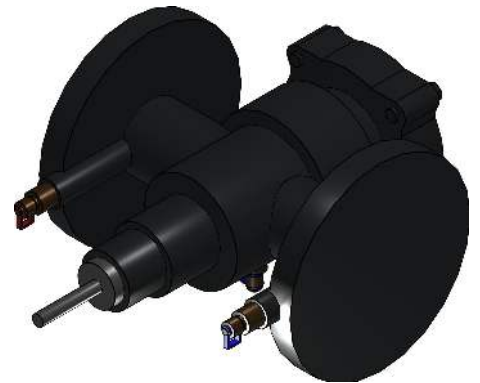
SIEMENS

VPF54

2D derivation



ISO view



Bill-Of-Materials

N°	Description	Amount
1.1	S55266-V152	1



3Dfindit

powered by  **CADENAS**

SIEMENS

SIEMENS

VPF54

Technical drawings



3Dfindit

powered by CADENAS

SIEMENS

SIEMENS

VPF54

Technical data

SA010ID04 (Manufacturer Name)	Siemens Building Technologies EUROPEAN Portfolio
SA700ID26 (Product description)	VPF54.50F15 PICV PN25, DN50
SA110ID05 (Main product group)	VPF54.50F15
PREVIEW (Preview)	../../../../bilder/a6v12042650.png
SA700ID04 (Valve assembly type)	shut-off and control valve assemblies
SA700ID28 (Nominal dimension)	50
SA700ID06 (/ m³/h)	0
SA700ID30 (Nominal pressure PN)	25
SA71012ID04 (Length)	230
SA71012ID05 (Width)	165
SA71012ID06 (Height)	322
SA71012ID08 (mass (net))	16
SA700ID07 (Maximum operating temperature / °C)	120
SA700ID08 (max. operating pressure / bar)	25
SA400ID03 (Body material)	grey iron
LINK ()	http://www.siemens.com/btproduct?S55266-V152
SA810ID03 (Manufacturer order number)	S55266-V152
SA810ID04 (Datanorm number)	S55266-V152
SA810ID06 (GTIN number)	4047625011482
SA810ID10 (Description text)	Pressure independent control valves (PICV), PN 25, DN50, with flange connection
SA810ID14 (Quantity units)	PCE
SA810ID15 (Quantity per packaging unit)	1
SA010ID06 (Manufacturer Web Address)	http://www.siemens.com/buildingtechnologies
SUPPORTLINK (Supportlink)	https://support.industry.siemens.com/cs/ww/en/ps/25261
SA010ID12 (Status of the manufacturer's catalog)	20220128
ETIMCLASSC (ETIM Classcode)	EC011312
ETIMCLASSN (ETIM Classname)	Pressure-compensated control valve
IFCEXPORT (IfcExportAs)	IfcValve.REGULATING
OMNICLASSNU (OmniClass number)	23-27 31 00
OMNICLASS (OmniClass title)	Valves
UNICLASSC (Uniclass code)	Pr_65_54_95_64
SA010ID02 (Blattnummer der Richtlinie)	2
INFO (Information about export to accessory combination)	When selecting accessory combination, please select export format "Autodesk Revit Instance+Family 20XX (3D)"!
SA010ID03 (Date of issue (month) of the standard)	200111
ACCESSORY_1 (Accessories: Antriebe)	-



3Dfindit

powered by  CADENAS

SIEMENS

SIEMENS

VPF54

E-Learning

Discover free training for 3Dfindit, the search engine for engineers, designers, and architects. Our 30 to 50-minute interactive courses provide you with comprehensive knowledge about the platform. Upon successful completion, you will receive a certificate. Start your first course now and master 3Dfindit!

**Become an Expert of
Digital Engineering**



3Dfindit

**Boost your career
and get ready
for Industry 4.0!**

[Learn more](#)

[Start course](#)

www.CADENAS.de
www.3Dfindit.com

◀◀ VISIT US AT 3Dfindit.com NOW!

8